



Actual Product Size Shown



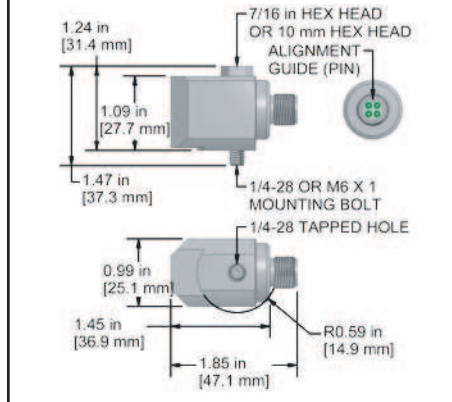
### Product Features

**CTC's Most Popular Side Exit Sensor Now with an M12 Connector!**  
**High Performance in a Low Cost Sensor**

- Common M12 Connection
- Perfect for Thousands of Applications
- Affordably Priced, Hermetically Sealed Sensors

### AC104-M12A 4 Pin Connector

Connector Pin	Polarity
1	(+) Signal/Power
2	(-) Common



Specifications	Standard	Metric
Part Number	AC104-M12A	M/AC104-M12A
Sensitivity ( ±10%)	100 mV/g	
Frequency Response (±3dB)	30-600,000 CPM	0,5-10000 Hz
Frequency Response (±10%)	120-420,000 CPM	2,0-7000 Hz
Dynamic Range	± 50 g, peak	
<b>Electrical</b>		
Settling Time	<2.5 seconds	
Voltage Source (IEPE)	18-30 VDC	
Constant Current Excitation	2-10 mA	
Spectral Noise @ 10 Hz	14 µg/√Hz	
Spectral Noise @ 100 Hz	2.3 µg/√Hz	
Spectral Noise @ 1000 Hz	2 µg/√Hz	
Output Impedance	<100 ohm	
Bias Output Voltage	10-14 VDC	
Case Isolation	>10 <sup>8</sup> ohm	

Specifications	Standard	Metric
<b>Environmental</b>		
Temperature Range	-58 to 250°F	-50 to 121°C
Maximum Shock Protection	5,000 g, peak	
Electromagnetic Sensitivity	CE	
Sealing	IP68	
<b>Physical</b>		
Sensing Element	PZT Ceramic	
Sensing Structure	Shear Mode	
Weight	4.7 oz	134 grams
Case Material	316L Stainless Steel	
Mounting	1/4-28	
Connector (non-integral)	M12	
Resonant Frequency	1,320,000 CPM	22000 Hz
Mounting Torque	2 to 5 ft. lbs.	2,7 to 6,8 Nm
Mounting Hardware	1/4-28 Captive Bolt	M6x1 Captive Bolt
Calibration Certificate	CA10	

### Ordering Information

Standard	AC104-M12A (1/4-28 Captive Bolt)
Metric	M/AC104-M12A (M6x1 Captive Bolt)



Backed by our Unconditional Lifetime Warranty