

Low Cost, Loop Power Vibration Sensor, Velocity, 4-20 mA Output, Top Exit M12 Connector



Actual Product Size Shown

Product Features

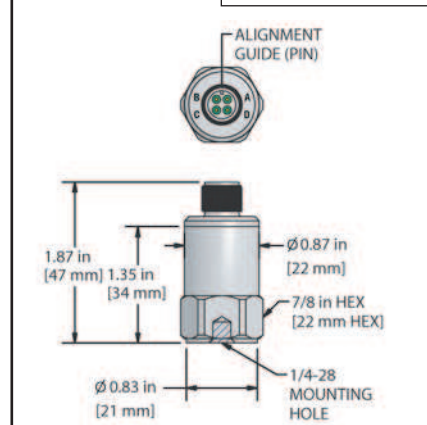
Continuously Monitor & Protect Important Machinery

- 4-20 mA current proportional to Vibration
- Transmit Signals Over Long Distances with No Signal Loss
- Customize Your Settings to Focus on the Most Important Frequencies

LP252-M12D

4 Pin Connector

Connector Pin	Polarity
A	(+) Signal/Power
B	(-) Common
C	Not Used
D	Not Used



Specifications	Standard	Metric
Output, 4-20 mA	See Selection Guide	
Measurement Range		
<u>Tolerances</u>		
4 mA	(± 5%)	
20 mA	(± 15%)	
<u>Electrical</u>		
Power Requirement (Loop Powered)	15-30 VDC	
Voltage Source		
Electrical Case Isolation	>10 ⁸ ohm	
<u>Environmental</u>		
Temperature Range	-40 to 185°F	-40 to 85°C
Electromagnetic Sensitivity	CE	
Sealing	IP68	

Specifications	Standard	Metric
<u>Physical</u>		
Sensing Element	PZT Ceramic	
Sensing Structure	Shear Mode	
Weight	2.9 oz	82 grams
Case Material	316L Stainless Steel	
Mounting	1/4-28	
Connector (LP252-XXX-M12D)	4 Pin M12	
<u>Mechanical</u>		
Mounting Torque	2 to 5 ft. lbs.	2,7 to 6,8 Nm
<u>Supplied Accessories</u>		
Mounting Hardware	1/4-28 Stud	M6x1 Adapter Stud
Calibration Certificate	Current Output @ 100 Hz	

Ordering Information



Stud Type	Measurement Range	Range Type	Frequency Range +/- 3dB	Style
M = M6x1 (blank for 1/4-28)	0 = 0-0.5 IPS (0-12,7 mm/sec) 1 = 0-1 IPS (0-25,4 mm/sec) 2 = 0-2 IPS (0-50,8 mm/sec) 3 = 0-10 mm/sec (0-0,4 IPS) 4 = 0-20 mm/sec (0-0,8 IPS)	R = RMS P = Peak	1 = 600-60,000 CPM (10-1000 Hz) 2 = 180-150,000 CPM (3-2500 Hz)	M12D = 4 Pin M12



Lifetime Warranty on Materials & Workmanship



Section 6 - BROUING LINE