

# Hazardous-Area Approved DD100880 Series



Intrinsically Safe Eddy Current Driver Compatible with 11 mm Proximity Probe Systems, Voltage Output

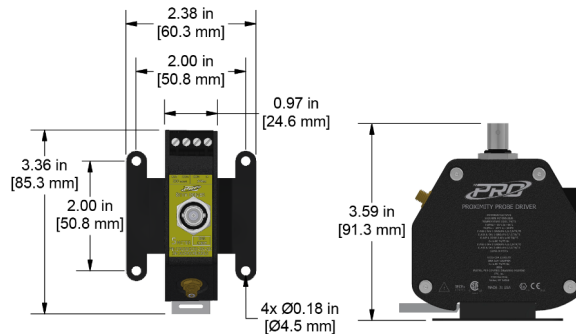


## Product Features

Continuous Monitoring in Hazardous Locations

Driver Assembly offers multiple options for mounting and easy connection via screw terminals

- ▶ DC gap and shaft vibration signals available via terminal block for analysis or monitoring
- ▶ Upgraded to include SecureLock connector
- ▶ For use with PRO Proximity Probes only



## Specifications

Temperature Range	-49 to 185 °F (-45 to 85 °C)
Enclosure	Anodized Aluminum
Probe Connector	SecureLock
Power & Output Connector	4 Position Terminal Block
Input Voltage	-17.5 to -30 VDC
Linear Range	25-525 mils (0.63-13.33 mm)
Nominal Voltage Output	-20 mV/mil (-0.787 V/mm)

## Built to Order

## Optional Regulatory Approvals

### US & Canada:

Class I Division 1 Groups A, B, C, D  
 Class II Division 1 Group E, F, G  
 Class III  
 Class I Zone 0 AEx ia IIC  
 Class I Division 2 Groups A, B, C, D  
 Class II Division 2 Groups E, F, G  
 Ex ia IIC Ga

### ATEX:

SIRA 16ATEX2084X  
 Ex ia IIC

### International (IECEx):

IECEx CSA 16.0017X  
 Ex ia IIC

### Temperature Codes:

T4 = -45°C to 100°C  
 T5 = -35°C to 85°C



CSA, ATEX, IECEx Approvals Require Intrinsically Safe Barrier Driver must be mounted in a NEMA 4x and/or IP6x enclosure  
**FOR REFERENCE ONLY, PLEASE REFER TO CONTROL DRAWING**

www.delta3n.hu  
**Lifetime Warranty on Materials & Workmanship**  
 www.ctconline.com | sales@ctconline.com | 585-924-5900