

# Accelerometer Quick Disconnects

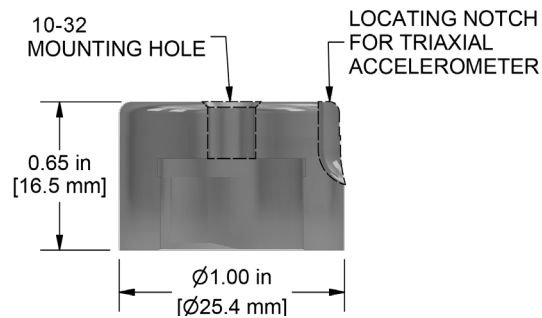


## Product Features

### Provides Convenient, Consistent Data Collection

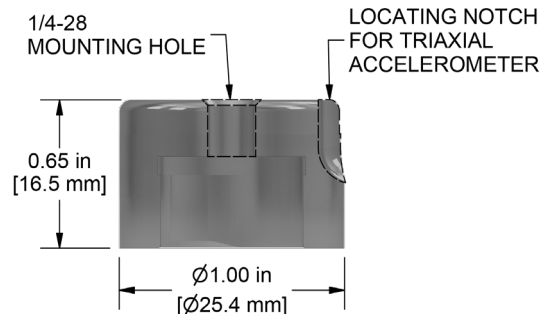
CTC's Accelerometer Quick Disconnects are ideally suited for triaxial sensor use. They feature a convenient locating notch and an easy, quarter-turn connection.

## MH106-1A



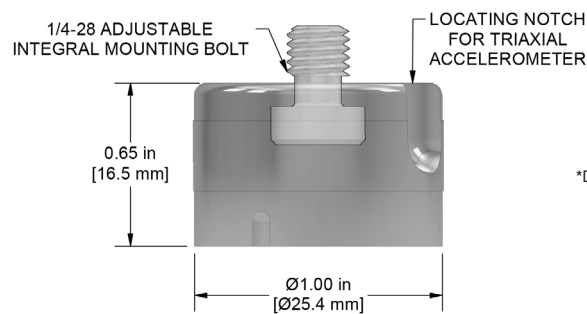
Quick Disconnect Receptacle with 10-32 Tapped Mounting Hole

## MH107-1A



Quick Disconnect Receptacle with 1/4-28 Tapped Mounting Hole

## MH107-3A



Quick Disconnect Receptacle with 1/4-28 Adjustable Orientation Integral Stud Mounting Bolt, Requires 3/16 in. Hex Key  
 \*Designed for use with wireless sensors. Not compatible with standard CTC wired triaxial accelerometers

### Specifications

Broad Frequency Response	0-390,000 CPM (0-6500 Hz)
Rugged	Engages five threads in 1/4 turn
Corrosion Resistant	316L Stainless Steel
Easy to Install	Quick Disconnect Stud may be epoxied and/or stud mounted
90 Degree Engagement	For accurate, repeatable readings with triaxial accelerometers

Backed by our Unconditional Lifetime Warranty

[www.ctconline.com](http://www.ctconline.com) | [sales@ctconline.com](mailto:sales@ctconline.com) | 585-924-5900

# Accelerometer Quick Disconnects

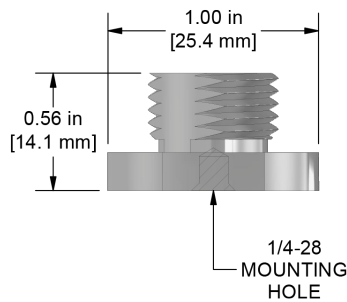
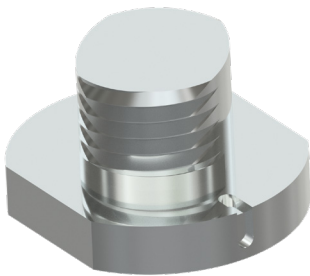


## Product Features

### Provides Convenient, Consistent Data Collection

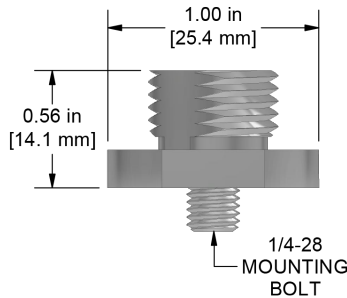
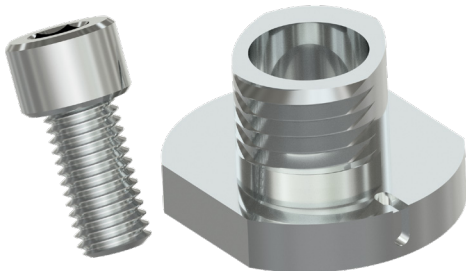
CTC's Accelerometer Quick Disconnects are ideally suited for triaxial sensor use. They feature a convenient locating notch and an easy, quarter-turn connection.

## MH107-1B



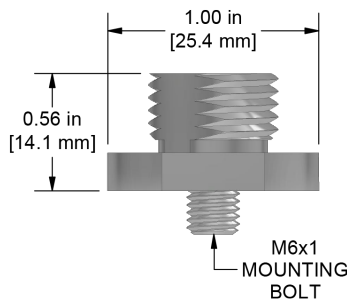
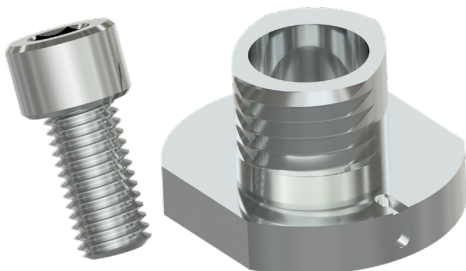
Quick Disconnect  
Mounting Stud

## MH107-2B



Quick Disconnect  
Mounting Stud  
with 1/4-28 Threaded Mounting Bolt

## MH107-3B



Quick Disconnect  
Mounting Stud  
with M6x1 Threaded Mounting Bolt

### Specifications

Broad Frequency Response	0-390,000 CPM (0-6500 Hz)
Rugged	Engages five threads in 1/4 turn
Corrosion Resistant	316L Stainless Steel
Easy to Install	Quick Disconnect Stud may be epoxied and/or stud mounted
90 Degree Engagement	For accurate, repeatable readings with triaxial accelerometers

Backed by our Unconditional Lifetime Warranty

[www.ctconline.com](http://www.ctconline.com) | [sales@ctconline.com](mailto:sales@ctconline.com) | 585-924-5900

[www.delta3n.hu](http://www.delta3n.hu)