

IS311-1B

Conduit Elbow

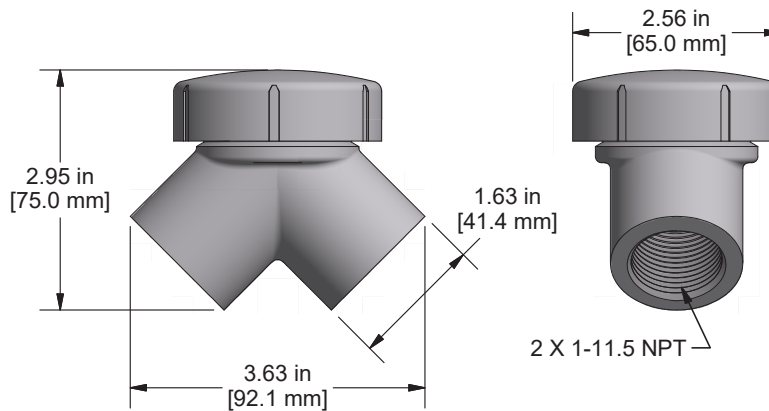


Product Features

Explosion Proof, Dust-Ignition Proof Elbow for use with Threaded Metal Conduit

- Screw-on cover for easy installation and removal
- Makes 90° bend in conduit runs

Line Drawing



Component Specifications

Location(s)

Class I, Division 1 and 2, Groups B,C,D
Class II, Division 1 and 2, Groups E,F, G
Class II

Class 1, Zone 1 and 2, Groups IIA and IIB + H2

Material

Malleable Iron

Finish

Triplecoat – (1) zinc electroplate, (2) chromate, (3) epoxy powder coat

Size

1 inch

To be used with CTC Hazardous Rated Sensors

LP902-XXX-5XC, LP812-XXX-5XC, LP912-XXX-5XC