

Piezo Electric Velocity Sensor, Top Exit Connector/Cable, 100 mV/in/sec



Actual Product Size Shown



Product Features

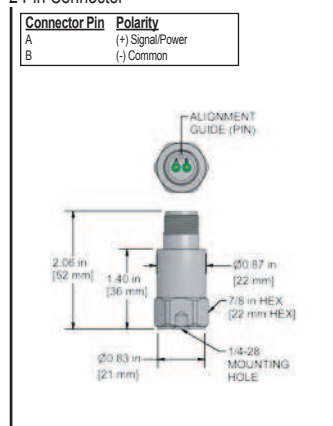
100 mV/in/sec, (4 mV/mm/sec) Sensitivity

1,5 - 12000 Hz (90 - 720,000 CPM) Frequency Response

- ± 50 in/sec, Peak Dynamic Range
- 2 Pin MIL Connection
- Integrates to Velocity in the Sensor

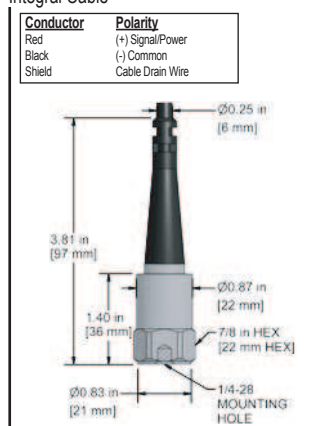
VE101-1D

2 Pin Connector



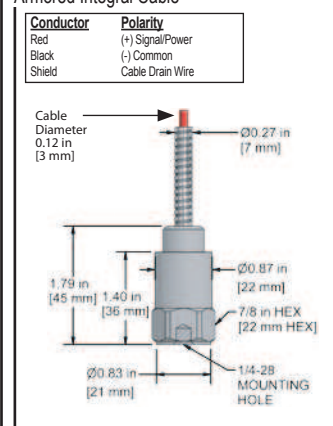
VE101-2D

Integral Cable



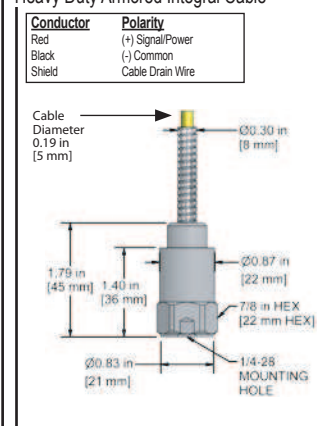
VE101-3D

Armored Integral Cable



VE101-6D

Heavy Duty Armored Integral Cable



Specifications	Standard	Metric
Part Number	VE101	M/VE101
Sensitivity ($\pm 10\%$)	100mV/in/sec	4mV/mm/sec
Frequency Response ($\pm 3dB$)	90-720,000 CPM	1,5-12000 Hz
Frequency Response ($\pm 10\%$)	120-270,000 CPM	2,0-4500 Hz
Dynamic Range (Peak)	± 50 in/sec	± 1270 mm/sec
Electrical		
Settling Time	<4 Seconds	
Voltage Source (IEPE)	18-30 VDC	
Constant Current Excitation	2-10 mA	
Spectral Noise @ 10 Hz	25 μ IPS/ \sqrt{Hz}	
Spectral Noise @ 100 Hz	2 μ IPS/ \sqrt{Hz}	
Spectral Noise @ 1000 Hz	0.5 μ IPS/ \sqrt{Hz}	
Output Impedance	<100 ohm	
Bias Output Voltage	10-14 VDC	
Case Isolation	>10 ⁸ ohm	

Specifications	Standard	Metric
Environmental		
Temperature Range	-58 to 250°F	-50 to 121°C
Maximum Shock Protection	5,000 g, peak	
Electromagnetic Sensitivity	CE	
Sealing	IP68	
Submersible Depth (VE101-2D/3D)	200 ft.	60 m
Physical		
Sensing Element	PZT Ceramic	
Sensing Structure	Shear Mode	
Weight	3.2 oz	90 grams
Case Material	316L Stainless Steel	
Mounting Hole	1/4-28	
Connector (non-integral)	2 Pin MIL-C-5015	
Resonant Frequency	1,380,000 CPM	23000 Hz
Mounting Torque	2 to 5 ft. lbs.	2,7 to 6,8 Nm
Mounting Hardware	1/4-28 Stud	M6x1 Adapter Stud
Calibration Certificate	CA10	

Ordering Information

Standard	VE101-1D (1/4-28 Stud)	VE101-2D - / (1/4-28 Stud)	VE101-3D - / (1/4-28 Stud)	VE101-6D - / (1/4-28 Stud)
	Stock Product	Build To Order	Build To Order	Build To Order
		(length in feet) (termination)	(maximum armor length 100 ft.) (cable length in feet) (termination)	(maximum armor length 20 ft.) (cable length in feet) (termination)
Metric	M/VE101-1D (M6x1 Adapter Stud)	M/VE101-2D - / (M6x1 Adapter Stud)	M/VE101-3D - / (M6x1 Adapter Stud)	M/VE101-6D - / (M6x1 Adapter Stud)
	Stock Product	Build To Order	Build To Order	Build To Order
		(length in meters) (termination)	(maximum armor length 30 m) (cable length in meters) (termination)	(maximum armor length 6 m) (cable length in meters) (termination)

Cable Termination Options: E F L Z

