

High Temperature Accelerometer, M8 Captive Bolt, Side Exit Connector/Cable, 100 mV/g

Section I - Vibration Sensors



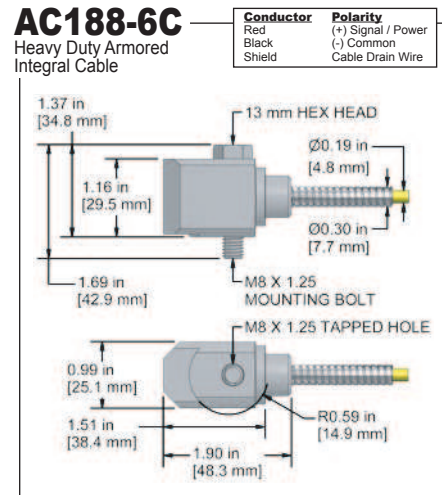
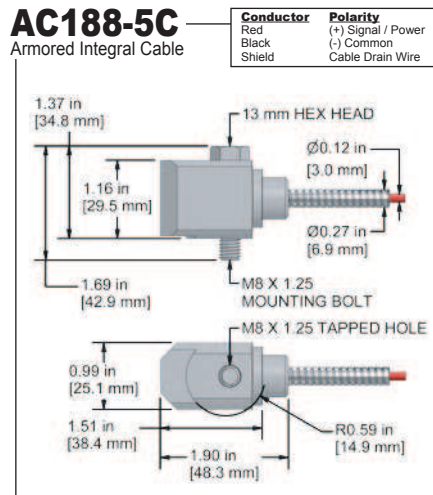
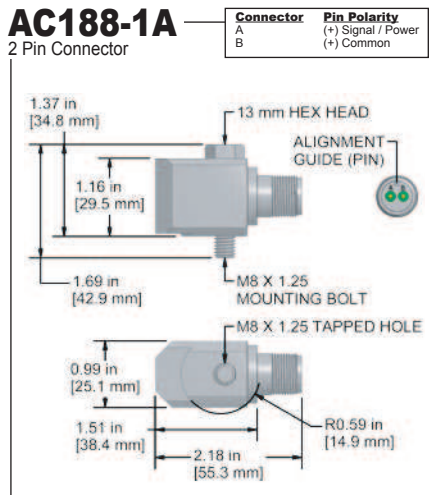
Actual Product Size Shown



M8 Captive Bolt Product Features

High Temperature (302°F) Side Exit Sensor, Now with M8 Mounting
Popular Proven Side Exit Sensor for Standard High Temperature Applications

- Functional to Temperatures Up to 302°F, (150°C)
- Great for Extended Use at High Temperatures
- Monitors in Temperatures as Low as -58°F (-50°C)



Specifications	Standard	Metric
Part Number	AC188	
Sensitivity (±10%)	100 mV/g	
Frequency Response (±3dB)	60-480,000 CPM	1,0-8000 Hz
Frequency Response (±10%)	120-300,000 CPM	2,0-5000 Hz
Dynamic Range	± 50 g, peak	
Electrical		
Settling Time	<2.5 seconds	
Voltage Source (IEPE)	18-30 VDC	
Constant Current Excitation	2-10 mA	
Spectral Noise @ 10 Hz	14 µg/√Hz	
Spectral Noise @ 100 Hz	2 µg/√Hz	
Spectral Noise @ 1000 Hz	1.4 µg/√Hz	
Output Impedance	<100 ohm	
Bias Output Voltage	10-14 VDC	
Case Isolation	>10 ⁹ ohm	

Specifications	Standard	Metric
Environmental		
Temperature Range	-58 to 302°F	-50 to 150°C
Maximum Shock Protection	5,000 g, peak	
Electromagnetic Sensitivity	CE	
Sealing	IP68	
Physical		
Sensing Element	PZT Ceramic	
Sensing Structure	Shear Mode	
Weight	6 oz	170 grams
Case Material	316L Stainless Steel	
Mounting	M8	
Connector (non-integral)	2 Pin MIL-C-5015	
Resonant Frequency	1,200,000 CPM	20000 Hz
Mounting Torque	2 to 5 ft. lbs.	2,7 to 6,8 Nm
Mounting Hardware	M8 Captive Bolt	
Calibration Certificate	CA10	

Ordering Information

Metric	AC188-1A (M8x1 Captive Bolt)	AC188-5C - / (M8x1 Captive Bolt)	AC188-6C - / (M8x1 Captive Bolt)
	<p>length in feet (termination)</p> <p>length in meters (termination)</p>	<p>length in feet (termination)</p> <p>length in meters (termination)</p>	<p>(maximum armor length 100 ft.) (cable length in feet) (termination)</p> <p>(maximum armor length 30 m) (cable length in meters) (termination)</p>

