

DSB4000



VIBRATION ANALYSIS HARDWARE

Dual Input & Output Modular Vibration Switch Box, Stainless Steel Enclosure, NEMA 4X (IP66) Rated, Includes up to 4 DSB-MOD(X) Switch Modules for 8, 16, 24, or 32 Dual Output Sensor Inputs

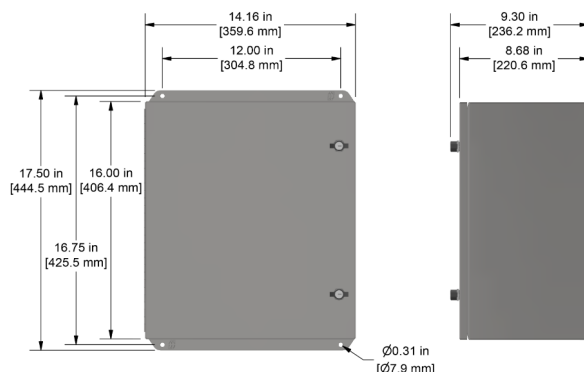


Product Features

Optional multi-pin connector for interface with on line systems (requires JB931-3A)

Internally earth grounded for noise reduction

- ▶ Provides a switched output from up to 32 remotely installed dual output sensors to a data collector through two BNCs, or 3 Pin MIL spec connector
- ▶ Modules feature external BNC and 2 or 3 Pin connection options to suit your preferred data collector
- ▶ Modular design provides flexible upgrade option



Specifications

Temperature Range	-58 to 180 °F (-50 to 82 °C)
Enclosure Material	Fiberglass
Inputs	Terminal Block, 4 Inputs per Channel (A,B,C,GND)
Outputs	2 BNC Jacks and 3 Pin MIL
Continuous Output	Optional Multi-Pin Connector for Interface with Online Systems (Requires JB931-3A)
Sensor Input Options	8, 16, 24, 32
Rating	NEMA 4X (IP66)
Door Closure	Twist Lock
Dimensions	14.16 x 17.50 x 9.30 in. (360 x 445 x 236 mm)
Resistance	Resistant to Hose Directed Fluid and Corrosion

Ordering Information

DSB



Enclosure Type
3000 = Fiberglass Enclosure, Extended Capacity
4000 = Stainless Steel Enclosure, Extended Capacity

Sensor Inputs (Dual Output)
8 = 8 Sensors
16 = 16 Sensors
24 = 24 Sensors
32 = 32 Sensors

Input Options (Spring Cage Terminal Blocks)
A = User Defined*
B = Conduit Fitting**
C = Nylon Cord Grips
N = Nickel Plated Brass Cord Grips [†]
S = Stainless Steel Cord Grips [†]

Input Options (Continuous Output)
M = User Defined*
P = Conduit Fitting**
R = Nylon Cord Grips
V = Nickel Plated Brass Cord Grips [†]
T = Stainless Steel Cord Grips [†]

*No punch outs are provided in the enclosure for cable entry. User may install any fitting required

**For use with conduit.

[†]Stainless Steel enclosures only

Backed by our Unconditional Lifetime Warranty

www.ctconline.com | sales@ctconline.com | 585-924-5900