

High Temperature Accelerometer, Top Exit Connector/Cable, 100 mV/g

Section I - Vibration Sensors



Actual Product Size Shown



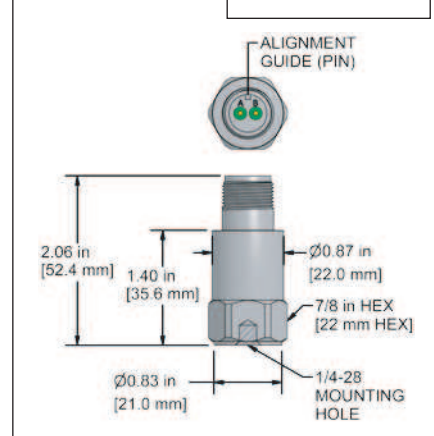
Product Features

High Temperature (302°F) Sensor
Popular, Proven Sensor for Standard High Temperature Applications

- Resistant to Temperatures Up to 302°F (150°C)
- 6C version has armor, Heavy Duty Teflon® Jacketed Cable with Braided Shield for Demanding Applications
- ±80 g, Peak Dynamic Range

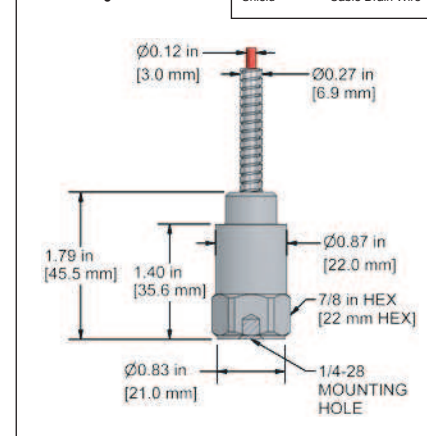
AC207-1A 2 Pin Connector

Connector	Pin Polarity
A	(+) Signal / Power
B	(-) Common



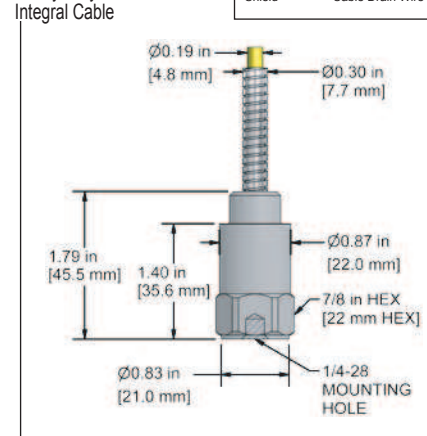
AC207-5C Armored Integral Cable

Conductor	Polarity
Red	(+) Signal / Power
Black	(-) Common
Shield	Cable Drain Wire



AC207-6C Heavy Duty Armored Integral Cable

Conductor	Polarity
Red	(+) Signal / Power
Black	(-) Common
Shield	Cable Drain Wire



Specifications	Standard	Metric
Part Number	AC207	M/AC207
Sensitivity (±10%)	100 mV/g	
Frequency Response (±3dB)	60-600,000 CPM	1,0-10000 Hz
Frequency Response (±10%)	120-360,000 CPM	2,0-6000 Hz
Dynamic Range	±80 g, peak	
Electrical		
Settling Time	<2.5 Seconds	
Voltage Source (IEPE)	18-30 VDC	
Constant Current Excitation	2-10 mA	
Spectral Noise @ 10 Hz	8 µg/√Hz	
Spectral Noise @ 100 Hz	0.82 µg/√Hz	
Spectral Noise @ 1000 Hz	0.3 µg/√Hz	
Output Impedance	<100 ohm	
Bias Output Voltage	10-14 VDC	
Case Isolation	>10 ⁹ ohm	

Specifications	Standard	Metric
Environmental		
Temperature Range	-58 to 302°F	-50 to 150°C
Maximum Shock Protection	5,000 g, peak	
Electromagnetic Sensitivity	CE	
Sealing	IP68	
Physical		
Sensing Element	PZT Ceramic	
Sensing Structure	Shear Mode	
Weight	3.2 oz.	90 grams
Case Material	316L Stainless Steel	
Mounting Hole	1/4-28	
Connector (non-integral)	2 Pin -MIL-C-5015	
Resonant Frequency	1,380,000 CPM	23000 Hz
Mounting Torque	2 to 5 ft. lbs.	2,7 to 6,8 Nm
Mounting Hardware	1/4-28 Stud	M6x1 Adapter Stud
Calibration Certificate	CA10	

Ordering Information

Standard	AC207-1A (1/4-28 Stud)	AC102-5C - / (1/4-28 Stud)	AC207-6C - / (1/4-28 Stud)
Metric	M/AC207-1A (M6x1 Adapter Stud)	M/AC102-5C - / (M6x1 Adapter Stud)	M/AC207-6C - / (M6x1 Adapter Stud)



Backed by our Unconditional Lifetime Warranty

