

Dual Output Temperature/Acceleration, M8 Captive Bolt, Side Exit Connector/Cable, 100 mV/g, 10 mV/K

10 mV/K

Product Features

Temperature Measurement Range of -40° to 212°F (-40° to 100°C)

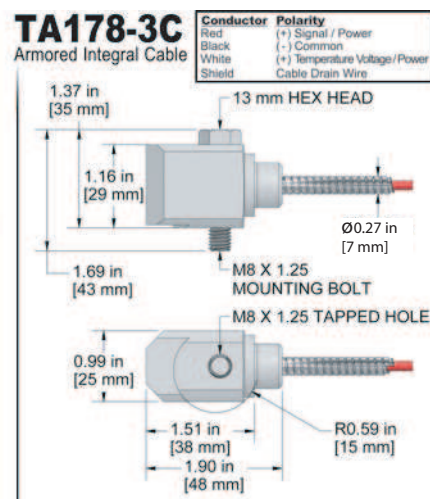
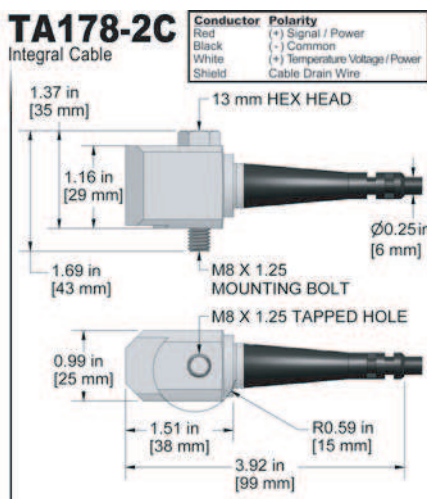
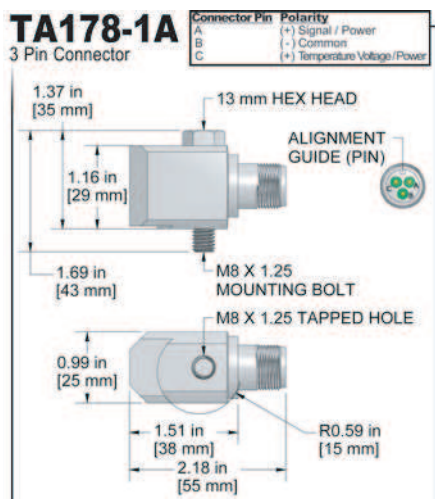


Actual Product Size Shown



M8 Captive Bolt

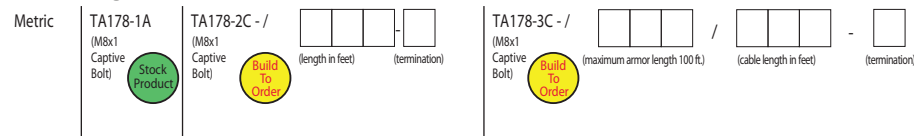
- Standard 3 Pin MIL Connection
- Requires Multi-Conductor Cable and Dual IEPE Power
- Compatible with Commtest vbOnline™ Series and Bently Nevada™ SCOUT Series Data Collectors
- Side Exit with M8 Captive Bolt



Specifications	Standard	Metric
Part Number	TA178	M/TA178
Sensitivity (±10%)	100 mV/g	
Frequency Response (±3dB)	30-600,000 CPM	0.5-10000 Hz
Frequency Response (±10%)	120-300,000 CPM	2.0-5000 Hz
Dynamic Range	± 50 g, peak	
Temperature Measurement Range	-40° to 212° F	-40° to 100° C
Temperature Output	10 mV/K	
Electrical		
Settling Time	<2.5 seconds	
Voltage Source (IEPE)	18-30 VDC	
Constant Current Excitation	2-10 mA	
Spectral Noise @ 10 Hz	14 µg/√Hz	
Spectral Noise @ 100 Hz	2.3 µg/√Hz	
Spectral Noise @ 1000 Hz	2 µg/√Hz	
Output Impedance	<100 ohm	
Bias Output Voltage	10-14 VDC	
Case Isolation	>10 ⁸ ohm	

Specifications	Standard	Metric
Environmental		
Temperature Range	-40 to 250°F	-40 to 121°C
Maximum Shock Protection	5,000 g, peak	
Sealing	IP68	
Submersible Depth (TA178-2C/3C)	200 ft.	60 m
Physical		
Sensing Element	PZT Ceramic	
Sensing Structure	Shear Mode	
Weight	6.3 oz	180 grams
Case Material	316L Stainless Steel	
Mounting	M8	
Connector (non-integral)	3 Pin MIL-C-5015	
Resonant Frequency	1,200,000 CPM	20000 Hz
Mounting Torque	2 to 5 ft. lbs.	2.7 to 6.8 Nm
Mounting Hardware	M8 Captive Bolt	
Calibration Certificate	CA10	

Ordering Information



Cable Termination Options: L Z

Backed by our Unconditional Lifetime Warranty