

Dual Output Temperature/Acceleration, Top Exit Connector/Cable, 100 mV/g, 10 mV/K



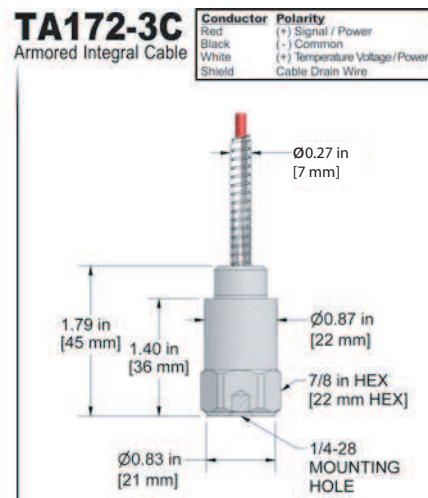
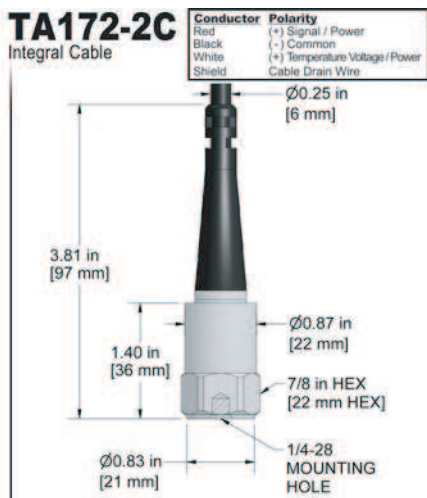
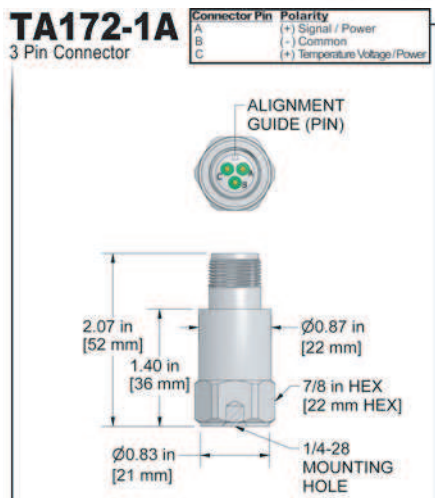
Actual Product Size Shown



10 mV/K Product Features

Temperature Measurement Range of -40° to 212°F (-40° to 100°C)

- Standard 3 Pin MIL Connection
- Requires Multi-Conductor Cable and Dual IEPE Power
- Compatible with Comntest vbOnline™ Series and Bently Nevada™ SCOUT Series Data Collectors



Specifications	Standard	Metric
Part Number	TA172	M/TA172
Sensitivity (±10%)	100 mV/g	
Frequency Response (±3dB)	30-900,000 CPM	0,5-15000 Hz
Frequency Response (±10%)	120-600,000 CPM	2,0-10000 Hz
Dynamic Range	± 50 g, peak	
Temperature Measurement Range	-40° to 212° F	-40° to 100° C
Temperature Output	10 mV/K	
Electrical		
Settling Time	<2.5 seconds	
Voltage Source (IEPE)	18-30 VDC	
Constant Current Excitation	2-10 mA	
Spectral Noise @ 10 Hz	14 µg/√Hz	
Spectral Noise @ 100 Hz	2.3 µg/√Hz	
Spectral Noise @ 1000 Hz	2 µg/√Hz	
Output Impedance	<100 ohm	
Bias Output Voltage	10-14 VDC	
Case Isolation	>10 ⁹ ohm	

Specifications	Standard	Metric
Environmental		
Temperature Range	-40 to 250°F	-40 to 121°C
Maximum Shock Protection	5,000 g, peak	
Sealing	IP68	
Submersible Depth (TA172-2C/3C)	200 ft.	60 m
Physical		
Sensing Element	PZT Ceramic	
Sensing Structure	Shear Mode	
Weight	3.2 oz	90 grams
Case Material	316L Stainless Steel	
Mounting	1/4-28	
Connector (non-integral)	3 Pin MIL-C-5015	
Resonant Frequency	1,380,000 CPM	23000 Hz
Mounting Torque	2 to 5 ft. lbs.	2,7 to 6,8 Nm
Mounting Hardware	1/4-28 Stud	M6x1 Adapter Stud
Calibration Certificate	CA10	

Ordering Information

Standard	TA172-1A (1/4-28 Stud)	TA172-2C - / (1/4-28 Stud)	TA172-3C - / (1/4-28 Stud)
Metric	M/TA172-1A (M6x1 Adapter Stud)	M/AC102-2C - / (M6x1 Adapter Stud)	M/TA172-3C - / (M6x1 Adapter Stud)

Cable Termination Options: L Z

