

Multi-Purpose Accelerometer, Side Exit Connector/Cable, 100 mV/g

Section I - Vibration Sensors

Actual Product Size Shown



Product Features

CTC's Most Popular Side Exit Sensor!

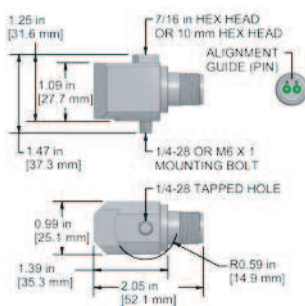
High Performance in a Low Cost Sensor

- Standard 2 Pin MIL Connection
- Perfect for Thousands of Applications
- Affordably Priced, Hermetically Sealed Sensors

AC104-1A

2 Pin Connector

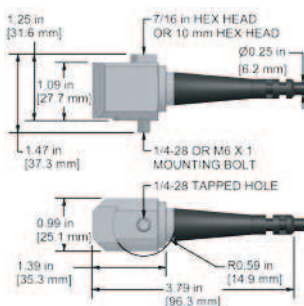
Connector Pin	Polarity
A	(+) Signal/Power
B	(-) Common



AC104-2C

Integral Cable

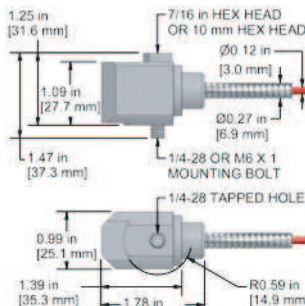
Conductor	Polarity
Red	(+) Signal/Power
Black	(-) Common
Shield	Cable Drain Wire



AC104-3C

Armored Integral Cable

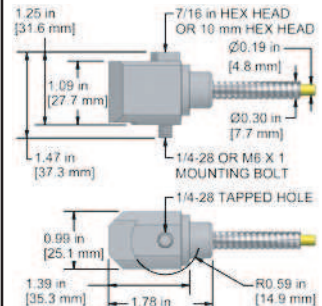
Conductor	Polarity
Red	(+) Signal/Power
Black	(-) Common
Shield	Cable Drain Wire



AC104-6C

Heavy Duty Armored Integral Cable

Conductor	Polarity
Red	(+) Signal/Power
Black	(-) Common
Shield	Cable Drain Wire



Specifications	Standard	Metric
Part Number	AC104	M/AC104
Sensitivity (±10%)		100 mV/g
Frequency Response (±3dB)	30-600,000 CPM	0.5-10000 Hz
Frequency Response (±10%)	120-420,000 CPM	2,0-7000 Hz
Dynamic Range		± 50 g, peak
Electrical		
Settling Time		<2.5 seconds
Voltage Source (IEPE)		18-30 VDC
Constant Current Excitation		2-10 mA
Spectral Noise @ 10 Hz		14 µg/√Hz
Spectral Noise @ 100 Hz		2.3 µg/√Hz
Spectral Noise @ 1000 Hz		2 µg/√Hz
Output Impedance		<100 ohm
Bias Output Voltage		10-14 VDC
Case Isolation		>10 ⁸ ohm

Specifications	Standard	Metric
Environmental		
Temperature Range	-58 to 250°F	-50 to 121°C
Maximum Shock Protection		5,000 g, peak
Electromagnetic Sensitivity		CE
Sealing		IP68
Submersible Depth (AC104-2C/3C)	200 ft.	60 m
Physical		
Sensing Element		PZT Ceramic
Sensing Structure		Shear Mode
Weight	5.1 oz	145 grams
Case Material		316L Stainless Steel
Mounting		1/4-28
Connector (non-integral)		2 Pin MIL-C-5015
Resonant Frequency	1,320,000 CPM	22000 Hz
Mounting Torque	2 to 5 ft. lbs.	2.7 to 6.8 Nm
Mounting Hardware	1/4-28 Captive Bolt	M6x1 Captive Bolt
Calibration Certificate		CA10

Ordering Information

Standard	AC104-1A (1/4-28 Captive Bolt)	AC104-2C - / (1/4-28 Captive Bolt)	AC104-3C - / (1/4-28 Captive Bolt)	AC104-6C - / (1/4-28 Captive Bolt)
	(length in feet) (termination)	(length in feet) (termination)	(maximum armor length 100 ft.) (cable length in feet) (termination)	(maximum armor length 20 ft.) (cable length in feet) (termination)
Metric	M/AC104-1A (M6x1 Captive Bolt)	M/AC104-2C - / (M6x1 Captive Bolt)	M/AC104-3C - / (M6x1 Captive Bolt)	M/AC104-6C - / (M6x1 Captive Bolt)
	(length in meters) (termination)	(length in meters) (termination)	(maximum armor length 30 m) (cable length in meters) (termination)	(maximum armor length 6 m) (cable length in meters) (termination)

Cable Termination Options: E F L Z

Backed by our Unconditional Lifetime Warranty

