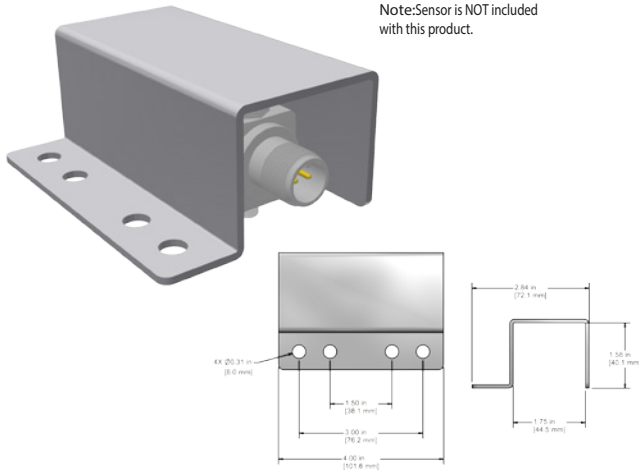


Sensor Protection

MH148-1A

Note: Sensor is NOT included with this product.



Product Purpose

Stainless Steel Sensor Protector for Side Exit Sensors

For protection from falling debris, moving machinery parts and other physical damage.

- Four Mounting Holes Spaced for Convenient and Stable Mounting Options
- Designed to Protect Sensors and Connectors from Hazardous Conditions
- Durable and Weather Resistant

MH152-1A



Product Purpose

Aluminum Sensor Protector for Top Exit Sensors

For protection from falling debris, moving machinery parts and other physical damage.

- Convenient Wrench Flats for Installation
- Designed to Protect Sensors and Connectors from Hazardous Conditions
- Durable and Weather Resistant

