

# TA935 Series

Class I, Division 2/Zone 2 Accelerometer, For Use In "Non-Arcing, Non-Sparking" Environments, Dual Output, Temperature/Acceleration Top Exit Connector/Cable, 100 mV/g, 10 mV/°C

**CSA/ATEX Approved**

Actual Product Size Shown



**Must Use "Class I, Division 2" CB191 or CB212 Cable and D3Q Connector**

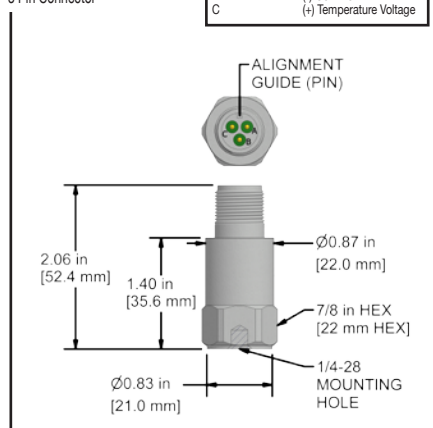
### REGULATORY INFORMATION

Ex nA IIC T3 Gc	Operating Temperature Code: T3
AEx nA IIC T3 Gc	Ambient Temperature Range = -40°C to +121°C
CLI Groups A, B, C, D	Ui = 28 Vdc li = 100 mA
CLII Groups E, F, G; CLIII	CSA 221421
CLI, Zone 2	Sira 15ATEX2152X
	Ex nA IIC T3 Ga

### TA935-1A

3 Pin Connector

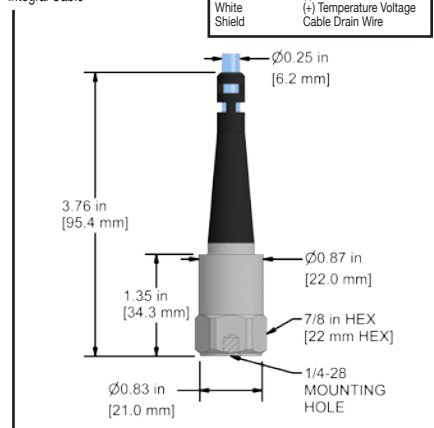
Connector Pin	Polarity
A	(+) Signal / Power
B	(-) Common
C	(+) Temperature Voltage



### TA935-2C

Integral Cable

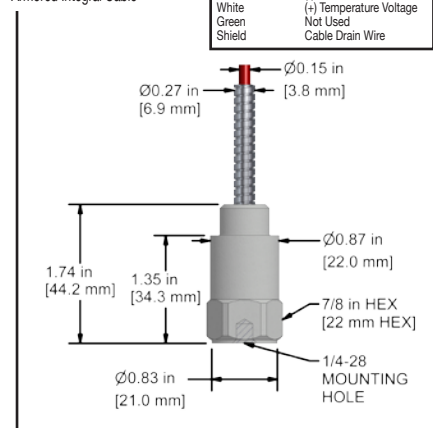
Conductor	Polarity
Red	(+) Signal / Power
Black	(-) Common
White	(+) Temperature Voltage
Shield	Cable Drain Wire



### TA935-3C

Armored Integral Cable

Conductor	Polarity
Red	(+) Signal / Power
Black	(-) Common
White	(+) Temperature Voltage
Green	Not Used
Shield	Cable Drain Wire



Specifications	Standard	Metric
Part Number	TA935	M/TA935
<b>Vibration</b>		
Sensitivity (±10%)	100 mV/g	
Frequency Response (±3dB)	30-900,000 CPM	0.5-15000 Hz
Frequency Response (±10%)	60-360,000 CPM	1.0-6000 Hz
Dynamic Range	±80 g, peak	
<b>Temperature</b>		
Temperature Measurement Range	38° to 250° F	3° to 121° C
Temperature Output	10 mV/°C	
<b>Electrical</b>		
Settling Time	<2 seconds	
Voltage Source (IEPE)	18-28 VDC	
Constant Current Excitation	2-10 mA	
Spectral Noise @ 10 Hz	30 µg/√Hz	
Spectral Noise @ 100 Hz	19 µg/√Hz	
Spectral Noise @ 1000 Hz	15 µg/√Hz	
Output Impedance	<100 ohm	
Bias Output Voltage	10-14 VDC	
Case Isolation	>10 <sup>8</sup> ohm	

Specifications	Standard	Metric
<b>Environmental</b>		
Temperature Range	-40 to 250°F	-40 to 121°C
Maximum Shock Protection	5,000 g, peak	
Electromagnetic Sensitivity	CE	
Sealing	Welded, Hermetic	
<b>Physical</b>		
Sensing Element	PZT Ceramic	
Sensing Structure	Shear Mode	
Weight	3.2 oz	90 grams
Case Material	316L Stainless Steel	
Mounting	1/4-28	
Connector (TA935-1A)	3 Pin MIL-C-5015	
Integral Cable (TA935-2C)	Blue TPE Jacketed Cable	
Armored Cable (TA935-3C)	Armor Jacketed Cable	
Resonant Frequency	1,380,000 CPM	23000 Hz
Mounting Torque	2 to 5 ft. lbs.	2.7 to 6.8 Nm
Mounting Hardware	1/4-28 Stud	M6x1 Adapter Stud
Calibration Certificate	CA10	

### Ordering Information

Standard	TA935-1A (1/4-28 Stud)	TA935-2C / (1/4-28 Stud)	TA935-3C / (1/4-28 Stud)

Cable Terminations: L Z

**Read Before Purchasing**  
Important information on  
**Regulatory Approvals and Requirements**  
on Page 87

Backed by our Unconditional Lifetime Warranty

www.ctconline.com

