



Actual Product Size Shown

Product Features

Temperature Sensor

3°C to 121°C

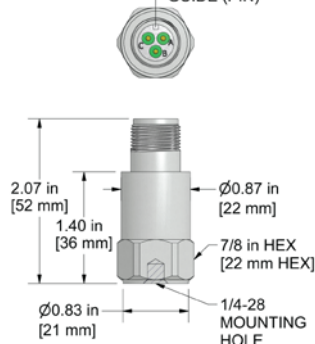
- Low Cost Temperature Only Sensor
- Three Pin MIL Connector
- For Permanent Installation

TC120-1A

3 Pin Connector

Connector Pin	Polarity
A	(+) Power
B	(-) Common
C	(+) Temperature

ALIGNMENT GUIDE (PIN)



Specifications	Standard	Metric
Part Number	TC120-1A	M/TC120-1A
Temperature Measurement Range ($\pm 2.5\%$)	38° to 250°F	3° to 121°C
Temperature Output	10 mV/°C	
Saturation Time	.5 Hr Minimum	
Electrical		
Voltage Source	4-10 VDC	
Case Isolation	>10 ⁸ ohm	

Specifications	Standard	Metric
Environmental		
Temperature Range	38° to 250°F	3 to 121°C
Electromagnetic Sensitivity	CE	
Sealing	IP68	
Physical		
Weight	2.3 oz	65 grams
Case Material	316L Stainless Steel	
Mounting Hole	1/4-28	
Connector (non-integral)	3 Pin MIL-C-5015	
Mounting Torque	2 to 5 ft. lbs.	2,7 to 6,8 Nm
Mounting Hardware	1/4-28 Stud	M6x1 Adapter Stud

NOTE: This sensor is NOT compatible with COMMTEST® vbOnline™ systems.

Ordering Information

Standard	TC120-1A (1/4-28 Stud)	
Metric	M/TC120-1A (M6x1 Adapter Stud)	