

# TA134 Series

Dual Output, Temperature/Acceleration, Side Exit Connector/Cable, 500 mV/g, 10 mV/°C

SECTION I - VIBRATION SENSORS  
Dual Output Accelerometers

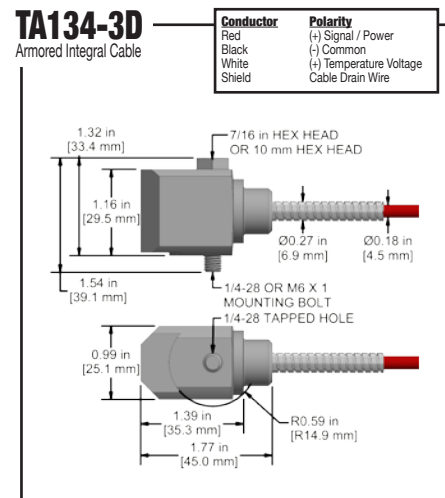
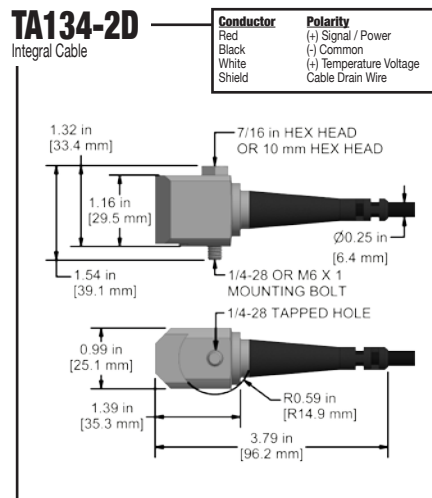
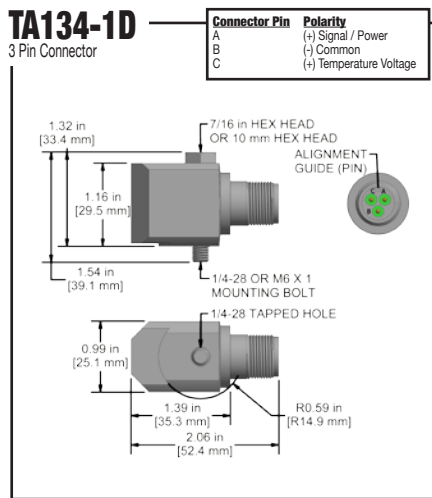
Actual Product Size Shown



## Product Features

**Temperature Output 10 mV/°C, Acceleration Output 500 mV/g**

- Standard 3 Pin MIL Connection
- Temperature and Acceleration in One Sensor
- Compatible with All Major Vibration Data Collection Systems Except Commtest vbOnline™ and GE SCOUT Series Online Systems



Specifications	Standard	Metric
Part Number	TA134	M/TA134
<b>Vibration</b>		
Sensitivity (±10%)	500 mV/g	
Frequency Response (±3dB)	6-480,000 CPM	0,1-8000 Hz
Frequency Response (±10%)	36-180,000 CPM	0,6-3000 Hz
Dynamic Range	± 10 g, peak	
Temperature Measurement Range	37° to 250° F	3° to 121° C
Temperature Output	10 mV/°C	
<b>Electrical</b>		
Settling Time	<2.5 seconds	
Voltage Source (IEPE)	18-30 VDC	
Constant Current Excitation	2-10 mA	
Spectral Noise @ 10 Hz	1.7 µg/√Hz	
Spectral Noise @ 100 Hz	0.2 µg/√Hz	
Spectral Noise @ 1000 Hz	0.12 µg/√Hz	
Output Impedance	<100 ohm	
Bias Output Voltage	10-14 VDC	
Case Isolation	>10 <sup>9</sup> ohm	

Specifications	Standard	Metric
<b>Environmental</b>		
Temperature Range	-40 to 250°F	-40 to 121°C
Maximum Shock Protection	5,000 g, peak	
Electromagnetic Sensitivity	CE	
Sealing	Welded, Hermetic	
<b>Physical</b>		
Sensing Element	PZT Ceramic	
Sensing Structure	Shear Mode	
Weight	5.6 oz	160 grams
Case Material	316L Stainless Steel	
Mounting	1/4-28	
Connector (non-integral)	3 Pin MIL-C-5015	
Resonant Frequency	960,000 CPM	16000 Hz
Mounting Torque	2 to 5 ft. lbs.	2,7 to 6,8 Nm
Mounting Hardware	1/4-28 Captive Bolt	M6x1 Captive Bolt
Calibration Certificate	CA10	

## Ordering Information

Standard	TA134-1D (1/4-28 Captive Bolt)	TA134-2D / (1/4-28 Captive Bolt)	TA134-3D / (1/4-28 Captive Bolt)
Metric	M/TA134-1D (M6x1 Captive Bolt)	M/TA134-2D / (M6x1 Captive Bolt)	M/TA134-3D / (M6x1 Captive Bolt)

Cable Terminations: L Z

Backed by our Unconditional Lifetime Warranty

www.ctconline.com

