

Compact, High Performance Accelerometer, Top Exit Connector/Cable, 100 mV/g

Section I - Vibration Sensors

Actual Product Size Shown



Product Features

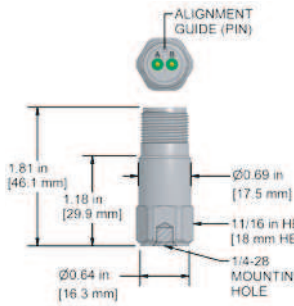
Superior RF Immunity in a Compact 100 mV/g Sensor
Standard 2 Pin MIL Connector

- ± 80 g, Peak Dynamic Range, $\pm 5\%$ Sensitivity
- 15 kHz Frequency Response
- Improved Linearity

AC292-1D

2 Pin Connector

Connector Pin	Polarity
A	(+) Signal/Power
B	(-) Common



AC292-2D

Integral Cable

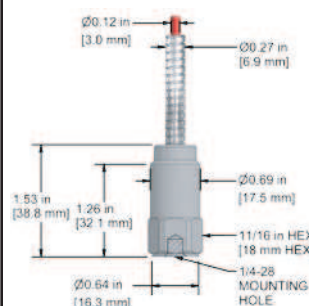
Conductor	Polarity
Red	(+) Signal/Power
Black	(-) Common
Shield	Cable Drain Wire



AC292-3D

Armored Integral Cable

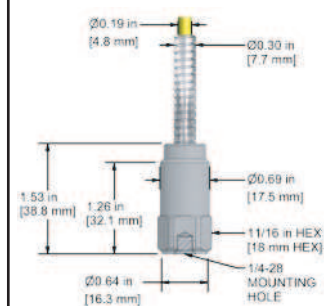
Conductor	Polarity
Red	(+) Signal/Power
Black	(-) Common
Shield	Cable Drain Wire



AC292-6D

Heavy Duty Armored Integral Cable

Conductor	Polarity
Red	(+) Signal/Power
Black	(-) Common
Shield	Cable Drain Wire



Specifications	Standard	Metric
Part Number	AC292	M/AC292
Sensitivity ($\pm 5\%$)	100 mV/g	
Frequency Response (± 3 dB)	18-900,000 CPM	0,3-15000 Hz
Frequency Response ($\pm 10\%$)	60-600,000 CPM	1,0-10000 Hz
Frequency Response ($\pm 5\%$)	600-300,000 CPM	10-5000 Hz
Dynamic Range	± 80 g, peak	
Electrical		
Settling Time	<2 Seconds	
Voltage Source (IEPE)	18-30 VDC	
Constant Current Excitation	2-10 mA	
Spectral Noise @ 10 Hz	8 μ g/ \sqrt Hz	
Spectral Noise @ 100 Hz	4 μ g/ \sqrt Hz	
Spectral Noise @ 1000 Hz	2 μ g/ \sqrt Hz	
Output Impedance	<100 ohm	
Bias Output Voltage	10-14 VDC	
Case Isolation	>10 ⁸ ohm	

Specifications	Standard	Metric
Environmental		
Temperature Range	-58 to 250°F	-50 to 121°C
Maximum Shock Protection	5,000 g, peak	
Electromagnetic Sensitivity	CE	
Sealing	IP68	
Submersible Depth (AC292-2D/3D)	200 ft.	60 m
Physical		
Sensing Element	PZT Ceramic	
Sensing Structure	Shear Mode	
Weight	1.8 oz	51 grams
Case Material	316L Stainless Steel	
Mounting	1/4-28	
Connector (non-integral)	2 Pin MIL-C-5015	
Resonant Frequency	1,560,000 CPM	26000 Hz
Mounting Torque	2 to 5 ft. lbs.	2,7 to 6,8 Nm
Mounting Hardware	1/4-28 Stud	M6x1 Adapter Stud
Calibration Certificate	CA10	

Ordering Information

	Standard	AC292-1D (1/4-28 Stud)	AC292-2D - / (1/4-28 Stud)	AC292-3D - / (1/4-28 Stud)	AC292-6D - / (1/4-28 Stud)
Standard					
Metric					

Cable Termination Options: E F L Z



VIBRATION ANALYSIS HARDWARE

Backed by our Unconditional Lifetime Warranty