

TA184-M12

Dual Output Temperature/Acceleration, Side Exit M12 Connector/Cable,
100 mV/g, 10 mV/°C

SECTION I - VIBRATION SENSORS
Dual Output Accelerometers



Actual Product Size Shown
CE

Requires Multi-Conductor Cable

Product Features

Temperature/Vibration Sensors
10 mV/°C

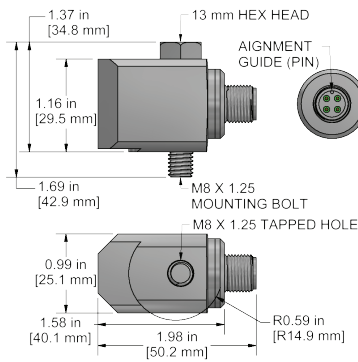
- 4 Pin M Connection
- High Performance in a Low Cost Sensor
- Requires Multi-Conductor Cable and Dual IEPE Power

M8 Captive Bolt

TA184-M12A

4 Pin Connector

Connector Pin	Polarity
1	(+) Signal/Power
2	(+) Common
3	(+) Temperature Voltage
4	Not Used



Specifications	Standard	Metric
Part Number	TA184-M12A	
Vibration		
Sensitivity (±10%)	100 mV/g	
Frequency Response (±3dB)	30-600,000 CPM	0.5-10000 Hz
Frequency Response (±10%)	120-300,000 CPM	2,0-5000 Hz
Dynamic Range	± 50 g, peak	
Temperature Measurement Range	37° to 250° F	3° to 121° C
Temperature Output	10 mV/°C	
Electrical		
Settling Time	<2.5 seconds	
Voltage Source (IEPE)	18-30 VDC	
Constant Current Excitation	2-10 mA	
Spectral Noise @ 10 Hz	8 µg/√Hz	
Spectral Noise @ 100 Hz	.82 µg/√Hz	
Spectral Noise @ 1000 Hz	.3 µg/√Hz	
Output Impedance	<100 ohm	
Bias Output Voltage	10-14 VDC	
Case Isolation	>10 ⁸ ohm	

Specifications	Standard	Metric
Environmental		
Temperature Range	-40 to 250°F	-40 to 121°C
Maximum Shock Protection	5,000 g, peak	
Sealing	Welded, Hermetic	
Physical		
Sensing Element	PZT Ceramic	
Sensing Structure	Shear Mode	
Weight	6.3 oz	180 grams
Case Material	316L Stainless Steel	
Mounting	M8x1.25	
Connector (non-integral)	4 Pin M12	
Resonant Frequency	1,380,000 CPM	23000 Hz
Mounting Torque	2 to 5 ft. lbs.	2,7 to 6,8 Nm
Mounting Hardware	M8 Captive Bolt	
Calibration Certificate	CA10	

Ordering Information

Metric	TA184-M12A
	(M8x1.25 Captive Bolt)

Backed by our Unconditional Lifetime Warranty

www.ctconline.com

