

# TA172-M12

Dual Output, Temperature/Acceleration, Top Exit M12 Connector/Cable, 100 mV/g, 10 mV/K

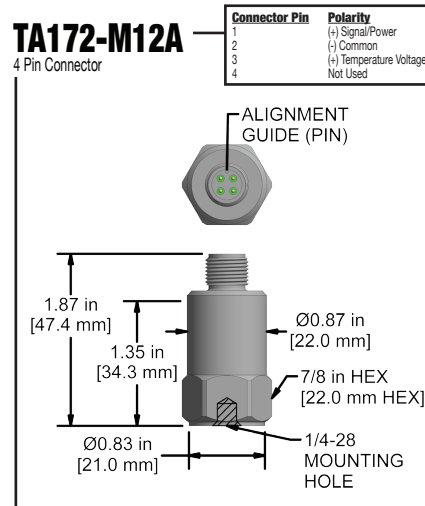
Actual Product Size Shown  
**CE**



## 10 mV/K Product Features

**Temperature Measurement Range of -40° to 212°F (-40° to 100°C)**

- 4 Pin M12 Connection
- Requires Multi-Conductor Cable and Dual IEPE Power
- Compatible with Commtest vbOnline™ Series and Bently Nevada™ SCOUT Series Data Collectors



Specifications	Standard	Metric
Part Number	TA172-M12A	M/TA172-M12A
<b>Vibration</b>		
Sensitivity (±10%)	100 mV/g	
Frequency Response (±3dB)	30-900,000 CPM	0.5-15000 Hz
Frequency Response (±10%)	120-600,000 CPM	2.0-10000 Hz
Dynamic Range	± 50 g, peak	
Temperature Measurement Range	-40° to 212° F	-40° to 100° C
Temperature Output	10 mV/K	
<b>Electrical</b>		
Settling Time	<2.5 seconds	
Voltage Source (IEPE)	18-30 VDC	
Constant Current Excitation	2-10 mA	
Spectral Noise @ 10 Hz	14 µg/√Hz	
Spectral Noise @ 100 Hz	2.3 µg/√Hz	
Spectral Noise @ 1000 Hz	2 µg/√Hz	
Output Impedance	<100 ohm	
Bias Output Voltage	10-14 VDC	
Case Isolation	>10 <sup>8</sup> ohm	

Specifications	Standard	Metric
<b>Environmental</b>		
Temperature Range	-40 to 250°F	-40 to 121°C
Maximum Shock Protection	5,000 g, peak	
Sealing	Welded, Hermetic	
<b>Physical</b>		
Sensing Element	PZT Ceramic	
Sensing Structure	Shear Mode	
Weight	3.2 oz	90 grams
Case Material	316L Stainless Steel	
Mounting	1/4-28	
Connector (non-integral)	4 Pin M12	
Resonant Frequency	1,380,000 CPM	23000 Hz
Mounting Torque	2 to 5 ft. lbs.	2,7 to 6,8 Nm
Mounting Hardware	1/4-28 Stud	M6x1 Adapter Stud
Calibration Certificate	CA10	

## Ordering Information

Standard	TA172-M12A (1/4-28 Stud) 
Metric	M/TA172-M12A (M6x1 Adapter Stud) 

**Backed by our Unconditional Lifetime Warranty**

[www.ctconline.com](http://www.ctconline.com)

