

Premium Series, Magnet Mount Accelerometer, Side Exit Connector, 100 mV/g

SECTION 1 - VIBRATION SENSORS
Accelerometers - 100 mV/g

Actual Product Size Shown
CE



Product Features

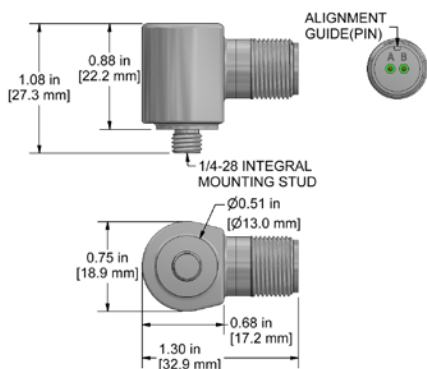
Standard, Route-Based Sensor
High Performance at a Reasonable Price

- Specifically Designed to Use with MH128-1A Magnet
- Comfortable Ergonomic Design Makes Data Collection Easy
- ±50 g, Peak Dynamic Range

AC246-1D

2 Pin Connector

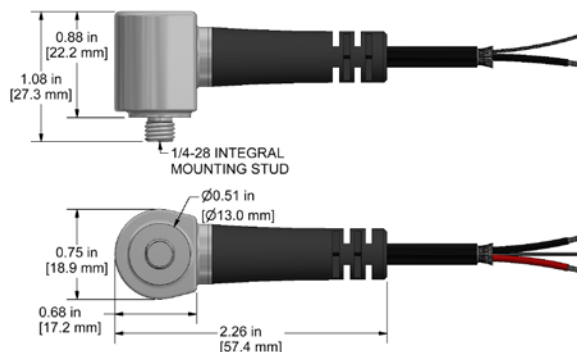
Connector Pin	Polarity
A	(+) Signal/Power
B	(-) Common



AC246-2D

Integral Cable

Conductor	Polarity
Red	(+) Signal/Power
Black	(-) Common
Shield	Cable Drain Wire



Specifications	Standard	Metric
Part Number	AC246	
Vibration		
Sensitivity (±5%)	100 mV/g	
Frequency Response (±3dB)	36-900,000 CPM	0,6-15000 Hz
Frequency Response (±10%)	60-420,000 CPM	1,0-10 kHz
Dynamic Range	± 50 g, peak	
Electrical		
Settling Time	<2.5 seconds	
Voltage Source (IEPE)	18-30 VDC	
Constant Current Excitation	2-10 mA	
Spectral Noise @ 10 Hz	14 µg/√Hz	
Spectral Noise @ 100 Hz	2.3 µg/√Hz	
Spectral Noise @ 1000 Hz	2 µg/√Hz	
Output Impedance	<100 ohm	
Bias Output Voltage	10-14 VDC	
Case Isolation	>10 ⁸ ohm	

Specifications	Standard	Metric
Environmental		
Temperature Range	-58 to 250°F	-50 to 121°C
Maximum Shock Protection	5,000 g, peak	
Electromagnetic Sensitivity	CE	
Sealing	Welded, Hermetic	
Physical		
Sensing Element	PZT Ceramic	
Sensing Structure	Shear Mode	
Weight	1.6 oz	45.3 grams
Case Material	316L Stainless Steel	
Mounting	1/4-28 Integral Stud	
Connector (non-integral)	2 Pin mini-MIL	
Resonant Frequency	2,040,000 CPM	32000 Hz
Mounting Torque	2 to 5 ft. lbs.	2,7 to 6,8 Nm
Calibration Certificate	CA10	

Ordering Information

Standard	AC246-1D	AC246-2D /		
	(1/4-28 Integral Stud) Stock Product	(1/4-28 Integral Stud) Build To Order	(length in feet)	(termination)

