

**Triaxial Cable Termination Box  
1 Channel**

**TCT301-1A**



**Product Features**

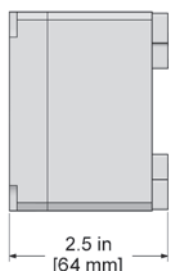
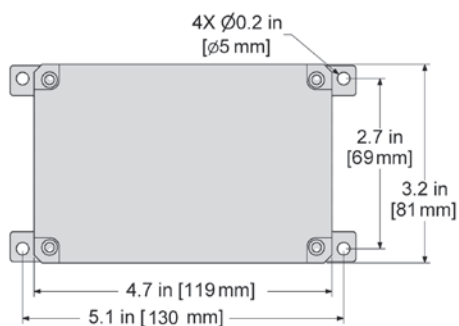
**Low-Cost Triaxial Cable Termination Box**

Easy Access for Triaxial Sensor Readings. Three BNC's can be Read Simultaneously or Sequentially.

- Easy Installation – land wires on terminal strip and it is done
- Available with user defined entry, conduit or single cord grip entry
- Attached BNC covers keep jacks protected

**Specifications**

Inputs	Terminal Block 5 Connections per channel (X, Y, Z, Common, Shield)
Output	1 BNC Jack Per Axis
Rating	NEMA 4X (IP66)
Door Attachment	4 Screws
Material	Polycarbonate
Screw Torque for Door & Mounting Feet	40-45 in-oz
Temperature Rating	-58° to 180° F (-50° to 82° C)
Resistance	Resistant to Hose Directed Fluid



**Ordering Information**

TCT301 -

1



**Enclosure Type**  
Polycarbonate

**Channels**  
1 = 1 Channel

**Input Options**  
 A = \*User Defined Stock Product  
 B = \*\*Conduit Fitting Built To Order  
 E = Single Entry Cord Grip Built To Order

**Example Part Number: TCT301-1A**

*One channel triaxial cable termination box, user defined cable entry*

\* No punch outs are provided in the enclosure for cable entry. User may install any fitting required.

\*\* For use with conduit.

