

**Class I, Division 2/Zone 2 Loop Power Sensor, For Use In "Non-Arcing, Non-Sparking" Environments, Top Exit Connector/Cable, Acceleration, 4-20 mA Output**



**Must Use "Class I, Division 2" CB190 Cable and D2Q Connector or CB922 Series Cable Adapter**

## Product Features

### Continuous Monitoring in Hazardous Locations

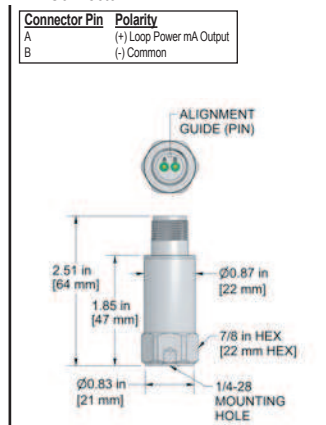
**Acceleration 4-20 Output for Applications in Hazardous Locations**

- Requires CB190 with D2Q or CB922 Series Connector (for non-integral cable versions)
- Non-Arcing, Non-Sparking Sensor for Class I, Division 2
- Protection for Hazardous Locations

Actual Product Size Shown

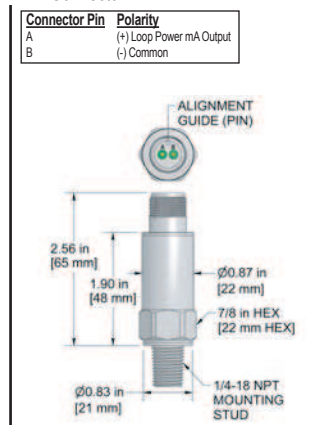
### LP922-1B

2 Pin Connector



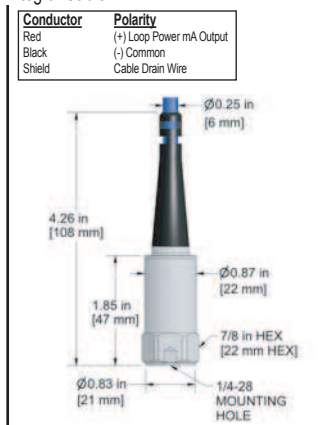
### P25/LP922-1B

2 Pin Connector



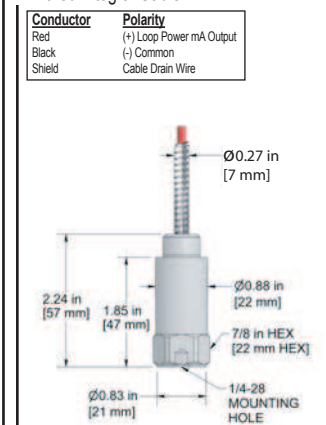
### LP922-2C

Integral Cable



### LP922-3C

Armored Integral Cable



| Specifications                                       | Standard             | Metric      |
|--|----------------------|-------------|
| Output, 4-20 mA                                      | See Selection Guide  |             |
| Measurement Range                                    |                      |             |
| <u>Tolerances</u>                                    |                      |             |
| 4 mA   | (± 5%)               |             |
| 20 mA  | (± 10%)              |             |
| <u>Electrical</u>                                    |                      |             |
| Settling Time (Turn on Time) @ Room Temp (68°F/20°C) | <60 Seconds          |             |
| Power Requirement (Loop Powered) Voltage Source      | 12-28 VDC            |             |
| Electrical Case Isolation                            | >10 <sup>8</sup> ohm |             |
| <u>Environmental</u>                                 |                      |             |
| Temperature Range                                    | -40 to 176°F         | -40 to 80°C |
| Electromagnetic Sensitivity                          | CE                   |             |
| Sealing  | IP68                 |             |

| Specifications                 | Standard                         | Metric            |
|--------------------------------|----------------------------------|-------------------|
| <u>Physical</u>                |                                  |                   |
| Sensing Element                | PZT Ceramic                      |                   |
| Sensing Structure              | Shear Mode                       |                   |
| Weight ( without cable)        | 3.7 oz                           | 105 grams         |
| Case Material                  | 316L Stainless Steel             |                   |
| Mounting Hole                  | 1/4-28<br>1/4 NPT (P25/LP922-1B) |                   |
| Connector (LP922-1B)           | 2 Pin MIL-C-5015                 |                   |
| Integral Cable (LP922-2C)      | Blue TPE Cable                   |                   |
| Armored Cable (LP922-3C)       | Armor Jacketed Cable             |                   |
| <u>Mechanical</u>              |                                  |                   |
| Mounting Torque                | 2 to 5 ft. lbs.                  | 2,7 to 6,8 Nm     |
| <u>Supplied Accessories</u>    |                                  |                   |
| Mounting Hardware              | 1/4-28 Stud                      | M6x1 Adapter Stud |
| <b>Calibration Certificate</b> | Current Output @ 100 Hz          |                   |

## Ordering Information



/LP922 -    /        -Z

| Stud Type          | Measurement Range | Range Type | Frequency Range +/- 3dB         | Style                       | Armor Length (Integral)                 | Cable Length (Integral)                 |
|--------------------|-------------------|------------|---------------------------------|-----------------------------|---|---|
| M = M6x1           | 0 = 0-1 g         | R = RMS    | 1 = 600-60,000 CPM (10-1000 Hz) | 1B = 2 Pin MIL (C-5015)     | 010 = 10 ft. (3 m)                      | 010 = 10 ft. (3 m)                      |
| P25 = 1/4 inch NPT | 2 = 0-2 g         | P = Peak   | 2 = 180-150,000 CPM (3-2500 Hz) | 2C = Integral Cable         | 020 = 20 ft. (6 m)                      | 020 = 20 ft. (6 m)                      |
| Blank = 1/4-28     | 5 = 0-5 g         |            |                                 | 3C = Armored Integral Cable | 030 = 30 ft. (9 m)                      | 030 = 30 ft. (9 m)                      |
|                    | 10 = 0-10 g       |            |                                 |                             | 050 = 50 ft. (15 m)                     | 050 = 50 ft. (15 m)                     |
|                    | 20 = 0-20 g       |            |                                 |                             | 100 = 100 ft. (30 m)                    | 100 = 100 ft. (30 m)                    |
|                    |                   |            |                                 |                             | (Custom lengths available upon request) | (Custom lengths available upon request) |

**Read Before Purchasing:** Important information on Regulatory Approvals and Requirements on Page 331

Lifetime Warranty on Materials & Workmanship



Section 6 - BOPING LINE