

Low Capacitance, Class I, Division 2/Zone 2 Loop Power Sensor, For Use In "Non-Arcing, Non-Sparking" Environments, Top Exit Connector/Cable, Velocity, 4-20 mA Output



Actual Product Size Shown



Must Use "Class I, Division 2" **CB190 Cable** and **D2Q Connector** or **CB922 Series Cable Adapter** or **Integral Cable**

## Product Features

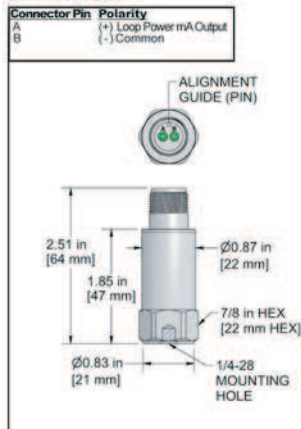
**Continuous Monitoring in Hazardous Locations**

**Velocity 4-20 Output for Applications in Hazardous Locations**

- Requires **CB190** with **D2Q** or **CB922 Series Connector** (for non-integral cable versions)
- **Non-Arcing, Non-Sparking Sensor for Class I, Division 2**
- **Enables Vibration Alarms for Process Control**

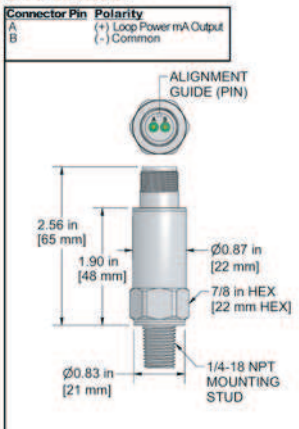
### LP832-1B

2 Pin Connector



### P25/LP832-1B

2 Pin Connector



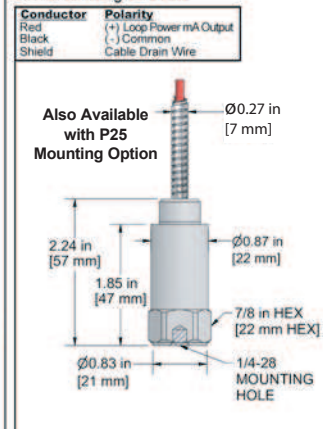
### LP832-2C

Integral Cable



### LP832-3C

Armored Integral Cable



Specifications	Standard	Metric
Output, 4-20 mA	See Selection Guide	
Measurement Range		
<u>Tolerances</u>		
4 mA	(± 5%)	
20 mA	(± 10%)	
<u>Electrical</u>		
Settling Time (Turn on Time) @ Room Temp (68°F/20°C)	<60 Seconds	
Power Requirement (Loop Powered) Voltage Source	12-28 VDC	
Electrical Case Isolation	>10 <sup>8</sup> ohm	
<u>Environmental</u>		
Temperature Range	-40 to 176°F	-40 to 80°C
Electromagnetic Sensitivity	CE	
Sealing	IP68	

Specifications	Standard	Metric
<u>Physical</u>		
Sensing Element	PZT Ceramic	
Sensing Structure	Shear Mode	
Weight ( without cable)	3.7 oz	105 grams
Case Material	316L Stainless Steel	
Mounting Hole	1/4-28 1/4 NPT (P25/LP832-1B)	
Connector (LP832-1B)	2 Pin MIL-C-5015	
Integral Cable (LP832-2C)	Blue TPE Cable	
Armored Cable (LP832-3C)	Armor Jacketed Cable	
<u>Mechanical</u>		
Mounting Torque	2 to 5 ft. lbs.	2,7 to 6,8 Nm
<u>Supplied Accessories</u>		
Mounting Hardware	1/4-28 Stud	M6x1 Adapter Stud
<b>Calibration Certificate</b>	Current Output @ 100 Hz	

## Ordering Information

All Products Are Built To Order

/LP832 -    -  /     -Z

Stud Type	Measurement Range	Range Type	Frequency Range +/- 3dB	Style	Armor Length (Integral)	Cable Length (Integral)
M = M6x1	0 = 0-0.5 IPS (0-12.7 mm/sec)	R = RMS	1 = 600-60,000 CPM (10-1000 Hz)	1B = 2 Pin MIL (C-5015)	010 = 10 ft. (3 m)	010 = 10 ft. (3 m)
P25 = 1/4 inch NPT	1 = 0-1 IPS (0-25.4 mm/sec)	P = Peak	2 = 180-150,000 CPM (3-2500 Hz)	2C = Integral Cable	020 = 20 ft. (6 m)	020 = 20 ft. (6 m)
Blank = 1/4-28	2 = 0-2 IPS (0-50.8 mm/sec)			3C = Armored Integral Cable	030 = 30 ft. (9 m)	030 = 30 ft. (9 m)
	3 = 0-10 mm/sec (0-0.4 IPS)				050 = 50 ft. (15 m)	050 = 50 ft. (15 m)
	4 = 0-20 mm/sec (0-0.8 IPS)				100 = 100 ft. (30 m)	100 = 100 ft. (30 m)
					(Custom lengths available upon request)	(Custom lengths available upon request)

**Read Before Purchasing:** Important information on **Regulatory Approvals** and **Requirements** on Page 351

Lifetime Warranty on Materials & Workmanship

www.ctonline.com



SECTION 6 - PROBING LINE