

Low Capacitance, Class I, Division 2/Zone 2 Accelerometer, For Use In "Non-Arcing, Non-Sparking" Environments, Side Exit Connector/Cable, 100 mV/g



Actual Product Size Shown



Must Use "Class I, Division 2" CB190 or CB206 Cable and D2Q Connectors

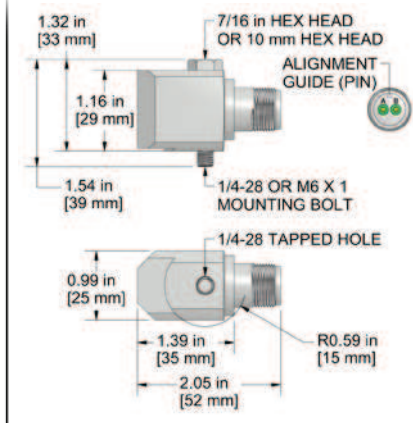
Product Features

Class I, Division 2/Zone 2 Rating
Excellent for Higher g Applications

- ±50 g, Peak Dynamic Range
- 100 mV/g, ±10% Sensitivity
- 0,5 - 8600 Hz (30 - 516,000 CPM) Frequency Response

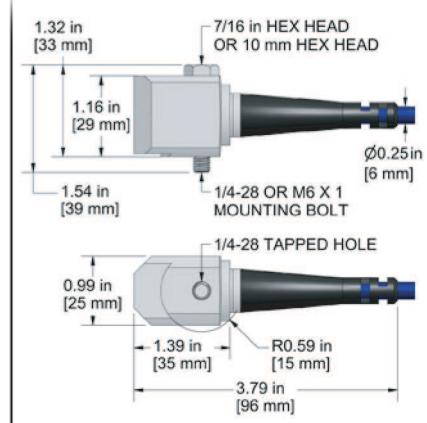
AC936-1A 2 Pin Connector

Connector Pin	Polarity
A	(+) Signal / Power
B	(-) Common



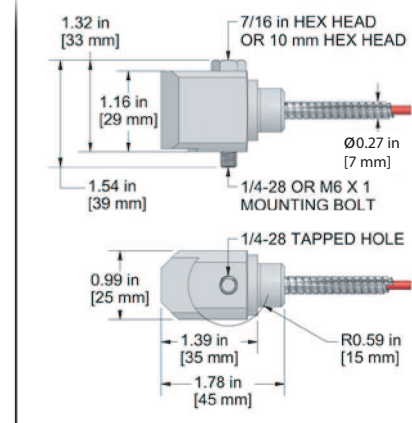
AC936-2C Integral Cable

Conductor	Polarity
Red	(+) Signal / Power
Black	(-) Common
Shield	Cable Drain Wire



AC936-3C Armored Integral Cable

Conductor	Polarity
Red	(+) Signal / Power
Black	(-) Common
Shield	Cable Drain Wire



Specifications	Standard	Metric
Part Number	AC936	M/AC936
Sensitivity (±10%)	100 mV/g	
Frequency Response (±3dB)	30-516,000 CPM	0,5-8600 Hz
Frequency Response (±10%)	60-360,000 CPM	1,0-6000 Hz
Dynamic Range	± 50 g, peak	
Electrical		
Settling Time	<3 Seconds	
Voltage Source (IEPE)	18-28 VDC	
Constant Current Excitation	2-10 mA	
Spectral Noise @ 10 Hz	30 µg/√Hz	
Spectral Noise @ 100 Hz	19 µg/√Hz	
Spectral Noise @ 1000 Hz	15 µg/√Hz	
Output Impedance	<100 ohm	
Bias Output Voltage	10-14 VDC	
Case Isolation	>10 ⁸ ohm	

Specifications	Standard	Metric
Environmental		
Temperature Range	-40° to 250°F	-40° to 121°C
Maximum Shock Protection	5,000 g, peak	
Electromagnetic Sensitivity	CE	
Sealing	IP68	
Physical		
Sensing Element	PZT Ceramic	
Sensing Structure	Shear Mode	
Weight	5.3 oz	151 grams
Case Material	316L Stainless Steel	
Mounting	1/4-28	
Connector (non-integral)	2 Pin MIL-C-5015	
Resonant Frequency	1,260,000 CPM	21000 Hz
Mounting Torque	2 to 5 ft. lbs.	2,7 to 6,8 Nm
Mounting Hardware	1/4-28 Captive Bolt	M6x1 Captive Bolt
Calibration Certificate	CA10	

Ordering Information

Standard	AC936-1A (1/4-28 Captive Bolt)	AC936-2C - / (1/4-28 Captive Bolt)	AC936-3C - / (1/4-28 Captive Bolt)
Metric	M/AC936-1A (M6x1 Captive Bolt)	M/AC936-2C - / (M6x1 Captive Bolt)	M/AC936-3C - / (M6x1 Captive Bolt)

Read Before Purchasing
Important information on Regulatory Approvals and Requirements on Page 84

Cable Termination Options: L Z



Backed by our Unconditional Lifetime Warranty