

## Low Capacitance, Intrinsically Safe Accelerometer, Top Exit Connector/Cable, 50 mV/g

Requires **Intrinsically Safe Barrier**

### Product Features

**CSA/ATEX Approved**

**Excellent for Higher g Applications**

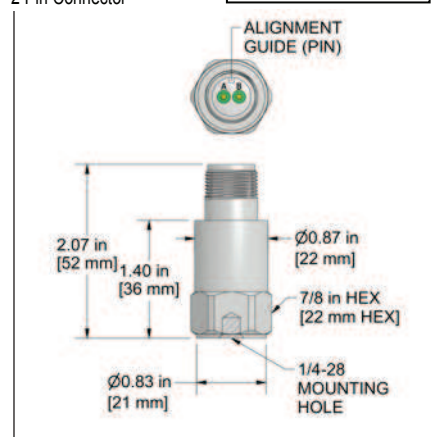
- 0,8 - 15000 Hz (48 - 900,000 CPM) Frequency Response
- ±100 g, Peak Dynamic Range
- Requires Intrinsic Safety Barrier (see page 348)

Actual Product Size Shown



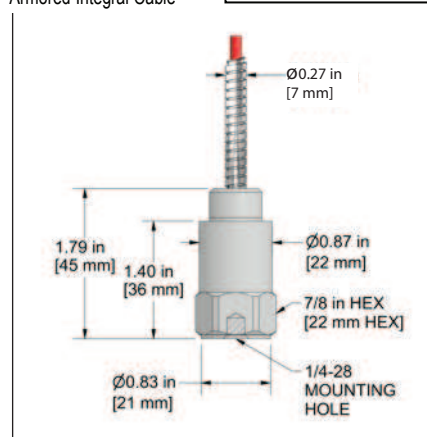
#### AC913-1A 2 Pin Connector

Connector Pin	Polarity
A	(+) Signal / Power
B	(-) Common



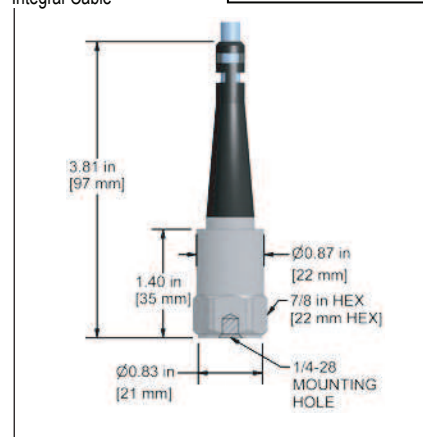
#### AC913-3C Armored Integral Cable

Conductor	Polarity
Red	(+) Signal / Power
Black	(-) Common
Shield	Cable Drain Wire



#### AC913-9C Integral Cable

Conductor	Polarity
Red	(+) Signal / Power
Black	(-) Common
Shield	Cable Drain Wire



Specifications	Standard	Metric
Part Number	AC913	M/AC913
Sensitivity ( ±10%)	50 mV/g	
Frequency Response (±3dB)	48-900,000 CPM	0,8-15000 Hz
Frequency Response (±10%)	90-390,000 CPM	1,5-6500 Hz
Dynamic Range	± 100 g, peak	
<b>Electrical</b>		
Settling Time	<3 Seconds	
Voltage Source (IEPE)	18-28 VDC	
Constant Current Excitation	2-10 mA	
Spectral Noise @ 10 Hz	30 µg/√Hz	
Spectral Noise @ 100 Hz	25 µg/√Hz	
Spectral Noise @ 1000 Hz	25 µg/√Hz	
Output Impedance	<100 ohm	
Bias Output Voltage	10-14 VDC	
Case Isolation	>10 <sup>8</sup> ohm	

Specifications	Standard	Metric
<b>Environmental</b>		
Temperature Range	-40 to 250°F	-40 to 121°C
Maximum Shock Protection	5,000 g, peak	
Electromagnetic Sensitivity	CE	
Sealing	IP68	
<b>Physical</b>		
Sensing Element	PZT Ceramic	
Sensing Structure	Shear Mode	
Weight	3.2 oz	91 grams
Case Material	316L Stainless Steel	
Mounting	1/4-28	
Connector (AC913-1A)	2 Pin MIL-C-5015	
Armored Cable (AC913-3C)	Armor Jacketed Cable	
Integral Cable (AC913-9C)	RAL 5015 Blue Polyurethane Cable	
Resonant Frequency	1,380,000 CPM	23000 Hz
Mounting Torque	2 to 5 ft. lbs.	2,7 to 6,8 Nm
Mounting Hardware	1/4-28 Stud	M6x1 Adapter Stud
Calibration Certificate	CA10	

### Ordering Information

Standard	AC913-1A (1/4-28 Stud)	AC913-3C - / (1/4-28 Stud)	AC913-9C - / (1/4-28 Stud)
		(length in feet) (termination)	(maximum armor length 100 ft.) (cable length in feet) (termination)
Metric	M/AC913-1A (M6x1 Adapter Stud)	M/AC913-3C - / (M6x1 Adapter Stud)	M/AC913-9C - / (M6x1 Adapter Stud)
		(length in meters) (termination)	(maximum armor length 30 m) (cable length in meters) (termination)

**Read Before Purchasing**  
Important information on  
**Regulatory Approvals and Requirements**  
on Page 90 & 91

Cable Termination Options: L Z



Backed by our **Unconditional Lifetime Warranty**