

Low Capacitance, Intrinsically Safe Accelerometer, Side Exit Connector/Cable, 50 mV/g

Requires Intrinsically Safe Barrier

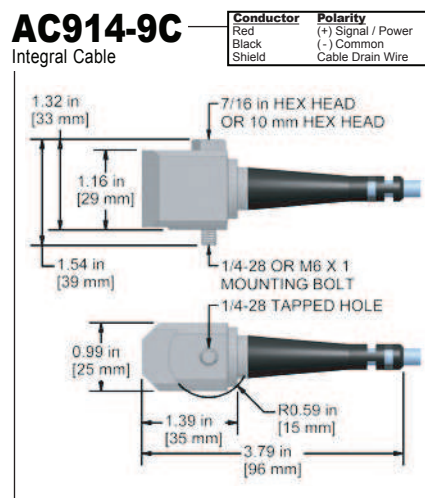
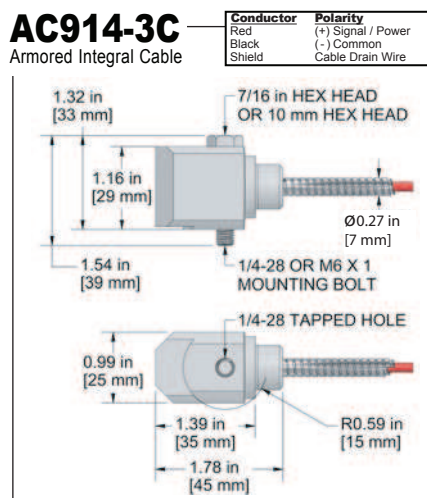
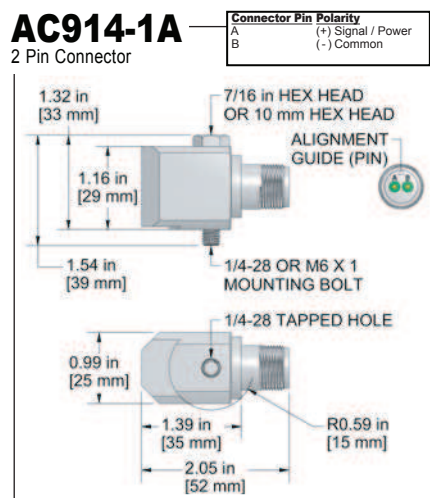
Product Features

CSA/ATEX Approved

Excellent for Higher g Applications

- ± 100 g, Peak Dynamic Range
- 50 mV/g Sensitivity $\pm 10\%$
- Requires Intrinsic Safety Barrier (see page 348)

Actual Product Size Shown



Specifications	Standard	Metric
Part Number	AC914	M/AC914
Sensitivity ($\pm 10\%$)	50 mV/g	
Frequency Response (± 3 dB)	48-516,000 CPM	0.8-8600 Hz
Frequency Response ($\pm 10\%$)	90-300,000 CPM	1.5-5000 Hz
Dynamic Range	± 100 g, peak	
Electrical		
Settling Time	<3 Seconds	
Voltage Source (IEPE)	18-28 VDC	
Constant Current Excitation	2-10 mA	
Spectral Noise @ 10 Hz	30 μ g/ \sqrt Hz	
Spectral Noise @ 100 Hz	25 μ g/ \sqrt Hz	
Spectral Noise @ 1000 Hz	25 μ g/ \sqrt Hz	
Output Impedance	<100 ohm	
Bias Output Voltage	10-14 VDC	
Case Isolation	>10 ⁸ ohm	

Specifications	Standard	Metric
Environmental		
Temperature Range	-40 to 250°F	-40 to 121°C
Maximum Shock Protection	5,000 g, peak	
Electromagnetic Sensitivity	CE	
Sealing	IP68	
Physical		
Sensing Element	PZT Ceramic	
Sensing Structure	Shear Mode	
Weight	5.3 oz	151 grams
Case Material	316L Stainless Steel	
Mounting	1/4-28	
Connector (AC914-1A)	2 Pin MIL-C-5015	
Armored Cable (AC914-3C)	Armor Jacketed Cable	
Integral Cable (AC914-9C)	RAL 5015 Blue Polyurethane Cable	
Resonant Frequency	1,260,000 CPM	21000 Hz
Mounting Torque	2 to 5 ft. lbs.	2,7 to 6,8 Nm
Mounting Hardware	1/4-28 Captive Bolt	M6x1 Captive Bolt
Calibration Certificate	CA10	

Ordering Information

Standard	AC914-1A (1/4-28 Captive Bolt)	AC914-3C - / (1/4-28 Captive Bolt)	AC914-9C - / (1/4-28 Captive Bolt)
Metric	M/AC914-1A (M6x1 Captive Bolt)	M/AC914-3C - / (M6x1 Captive Bolt)	M/AC914-9C - / (M6x1 Captive Bolt)

Read Before Purchasing
 Important information on Regulatory Approvals and Requirements on Pages 90 & 91

