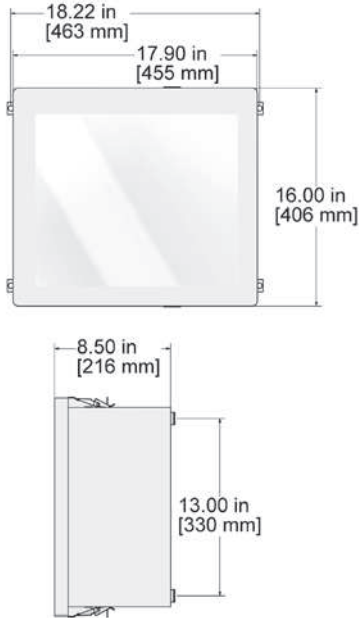


ViPR Vibration Protection & Relay System



Product Features

**Protect critical machinery & processes from excessive vibration & catastrophic failure:**

The VP Series Protection & Relay System from PRO will display the vibration level from a signal conditioner or a loop power sensor, with the capability to trigger alarms and shutdown machinery based on the amplitude of the overall vibration within a selected frequency range. Dual output versions display both vibration and temperature.

- Sunlight viewable display of vibration levels: IPS, g's, mils or customized scale
- Protect critical equipment with relays to trigger alarms or shutdown
- 4-20 mA retransmission for use with PLC, DCS or SCADA systems
- Pre-wired for turnkey solution - just wire sensors and output into easily accessible screw terminals

Specifications

Input Sources

SC series vibration signal conditioners with standard sensors

LP Series loop power sensors

Each 4-20 mA output requires isolated common (not shared)

**Input source must be ordered and specified separately, allowing a wide variety or monitoring options**

Operating temperature range 32°F (0°C) to 140°F (60°C)

Supply voltage of 85 to 265 VAC universal power supply

**Dual output versions available in one and two channel configurations**

Enclosure

NEMA 4X (IP66 equivalent)

**Strong, UV stabilized, molded fiberglass reinforced polyester construction with matching cover (not available in stainless steel)**

UV resistant polycarbonate viewing window

Continuous stainless steel hinge

304 stainless steel snap latches

304 stainless steel wall mounting feet with 10-32 stainless steel screws included

304 stainless steel back plate

**Cooling is required if internal temperature of VP enclosure exceeds 140°F (60°C).**

Ordering Information

All Products Are Built To Order



Display Type	Enclosure Type	Input Channels	Input Source	Output	Enclosure Entry	Enclosure Exit
R = Relay with display D = Display only	1 = Fiberglass enclosure with window	1 = 1 Channel 2 = 2 Channels 3 = 3 Channels 4 = 4 Channels	S = Sensor / Signal Conditioner L = 4-20 mA Loop power sensor	V = Vibration D = Vibration & Temperature (Maximum 2 Channels)	A = None B = 1 1/4" Conduit fitting for cable entry & 1/2" conduit fitting for power C = Cord grips (1 per ch.) & 1/2" conduit fitting for power	A = None B = 1 1/4" Conduit Fitting

**Example Part Number: VPR100-1S-V0-AA**  
Relay with display, fiberglass encl., 1 ch., sensor, signal conditioner, vibration



Lifetime Warranty on Materials & Workmanship