

## Intrinsically Safe Loop Power Sensor, Acceleration, 4-20 mA, Top Exit Connector/Cable



Actual Product Size Shown

### Product Features

#### Continuous Monitoring in Hazardous Locations

CSA and ATEX Approvals

- Works with Standard Cables
- Requires Energy Limiting Barriers such as IS111 or IS211 Series
- Enables Vibrational Alarms for Process Control

### LP902-1B

2 Pin Connector

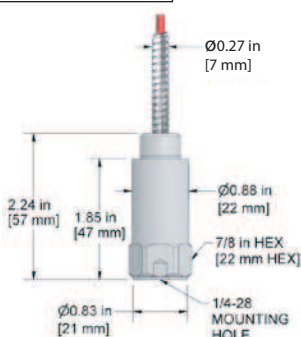
Connector Pin	Polarity
A	(+) Loop Power mA Output
B	(-) Common



### LP902-3C

Armored Integral Cable

Conductor	Polarity
Red	(+) Loop Power mA Output
Black	(-) Common
Shield	Cable Drain Wire



### LP902-9C

Integral Cable

Conductor	Polarity
Red	(+) Loop Power mA Output
Black	(-) Common
Shield	Cable Drain Wire



Specifications	Standard	Metric
Output, 4-20 mA	See Selection Guide	
Measurement Range		
<u>Tolerances</u>		
4 mA	(± 5%)	
20 mA	(± 10%)	
<u>Electrical</u>		
Settling Time (Turn on Time) @ Room Temp (68°F/20°C)	<60 Seconds	
Power Requirement (Loop Powered)	12-28 VDC	
Electrical Case Isolation	>10 <sup>8</sup> ohm	
<u>Environmental</u>		
Temperature Range	-40 to 175°F	-40 to 80°C
Electromagnetic Sensitivity	CE	
Sealing	IP68	

Specifications	Standard	Metric
<u>Physical</u>		
Sensing Element	PZT Ceramic	
Sensing Structure	Shear Mode	
Weight ( without cable)	3.7 oz	105 grams
Case Material	316L Stainless Steel	
Mounting Hole	1/4-28	
Connector (LP902-1B)	2 Pin MIL-C-5015	
Armored Cable (LP902-3C)	Armor Jacketed Cable	
Integral Cable (LP902-9C)	RAL 5015 Blue Polyurethane Cable	
<u>Mechanical</u>		
Mounting Torque	2 to 5 ft. lbs.	2,7 to 6,8 Nm
<u>Supplied Accessories</u>		
Mounting Hardware	1/4-28 Stud	M6x1 Adapter Stud
<b>Calibration Certificate</b>	Current Output @ 100 Hz	

### Ordering Information



/LP902 -    -   /    /    -Z

Stud Type	Measurement Range	Range Type	Frequency Range +/- 3dB	Style	Armor Length (Integral)	Cable Length (Integral)
M = M6x1  (blank for 1/4-28)	0 = 0-1 g 2 = 0-2 g 5 = 0-5 g 10 = 0-10 g 20 = 0-20 g	R = RMS P = Peak	1 = 600-60,000 CPM (10-1000 Hz) 2 = 180-150,000 CPM (3-2500 Hz)	1B = 2 Pin MIL C-5015 3C = Armor Jacket Integral Cable 9C = CB193 Integral Cable	010 = 10 ft. (3 m) 020 = 20 ft. (6 m) 030 = 30 ft. (9 m) 050 = 50 ft. (15 m) 100 = 100 ft. (30 m) <i>(Custom lengths available upon request)</i>	010 = 10 ft. (3 m) 020 = 20 ft. (6 m) 030 = 30 ft. (9 m) 050 = 50 ft. (15 m) 100 = 100 ft. (30 m) <i>(Custom lengths available upon request)</i>



**Read Before Purchasing:** Important information on Regulatory Approvals and Requirements on Page 337 & 338

Lifetime Warranty on Materials & Workmanship