

Low Cost, Loop Power Vibration Sensor/Transmitter, Acceleration, 4-20 mA Output, Top Exit Connector/Cable



Actual Product Size Shown

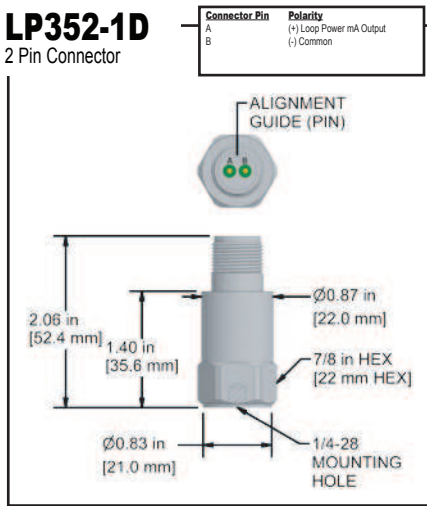
Product Features

Protect Machinery from Excessive Vibration or Catastrophic Failure

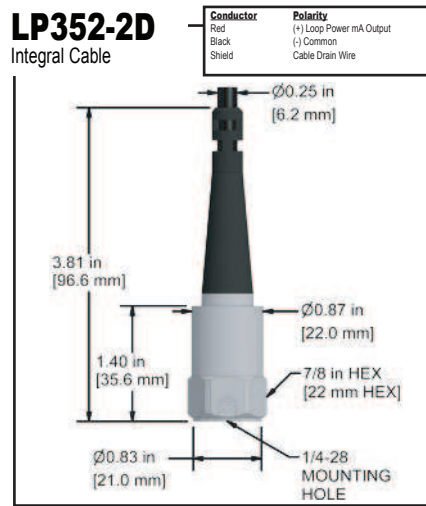
- Peak and RMS Outputs Available
- Acceleration Output for Higher Frequency Applications
- Outputs to PLC, DCS, SCADA



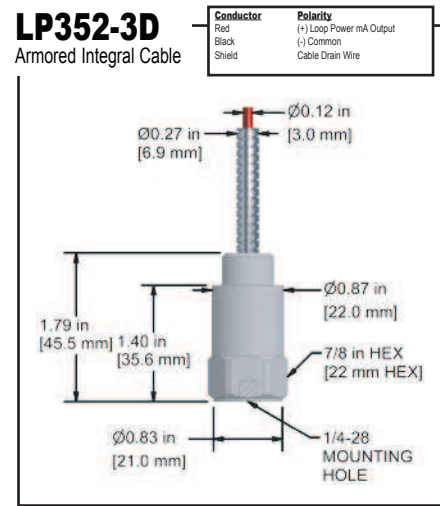
LP352-1D
2 Pin Connector



LP352-2D
Integral Cable



LP352-3D
Armored Integral Cable



Specifications	Standard	Metric
Output, 4-20 mA	See Selection Guide	
Measurement Range		
<u>Tolerances</u>		
4 mA	(± 5%)	
20 mA	(± 15%)	
<u>Electrical</u>		
Power Requirement (Loop Powered)	15-30 VDC	
Voltage Source		
Electrical Case Isolation	>10 ⁸ ohm	
<u>Environmental</u>		
Temperature Range	-40 to 185°F	-40 to 85°C
Electromagnetic Sensitivity	CE	
Sealing	IP68	
Submersible Depth (LP302-2C/3C)	200 ft.	60 m

Specifications	Standard	Metric
<u>Physical</u>		
Sensing Element	PZT Ceramic	
Sensing Structure	Shear Mode	
Weight (without cable)	2.9 oz	82 grams
Case Material	316L Stainless Steel	
Mounting Hole	1/4-28	
Connector (LP352-1D)	2 Pin MIL-C-5015	
Integral Cable (LP352-2D)	CB103	
Armored Cable (LP352-3D)	CB206	
<u>Mechanical</u>		
Mounting Torque	2 to 5 ft. lbs.	2,7 to 6,8 Nm
<u>Supplied Accessories</u>		
Mounting Hardware	1/4-28 Stud	M6x1 Adapter Stud
Calibration Certificate	Current Output @ 100 Hz	

Ordering Information

All Products Are Built To Order

/LP352 - - / / - **Z**

Stud Type	Measurement Range	Range Type	Frequency Range +/- 3dB	Style	Armor Length (Integral)	Cable Length (Integral)
M = M6x1 (blank for 1/4-28)	0 = 0-1 g 2 = 0-2 g 5 = 0-5 g 10 = 0-10 g 20 = 0-20 g	R = RMS P = Peak	1 = 600-60,000 CPM (10-1000 Hz) 2 = 180-150,000 CPM (3-2500 Hz)	1D = 2 Pin MIL C-5015 2D = Integral Cable, CB103 3D = Armor Jacket, CB206	Ø10 = 10 ft. (3 m) Ø20 = 20 ft. (6 m) Ø30 = 30 ft. (9 m) Ø50 = 50 ft. (15 m) Ø100 = 100 ft. (30 m) <small>(Custom lengths available upon request)</small>	Ø10 = 10 ft. (3 m) Ø20 = 20 ft. (6 m) Ø30 = 30 ft. (9 m) Ø50 = 50 ft. (15 m) Ø100 = 100 ft. (30 m) <small>(Custom lengths available upon request)</small>



Lifetime Warranty on Materials & Workmanship