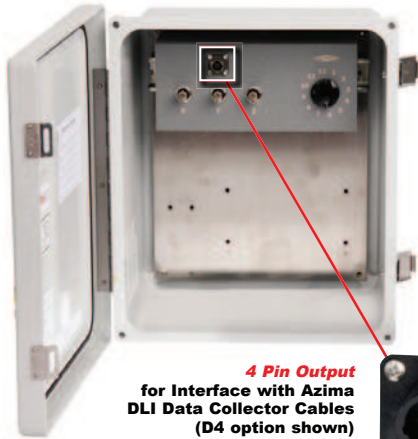
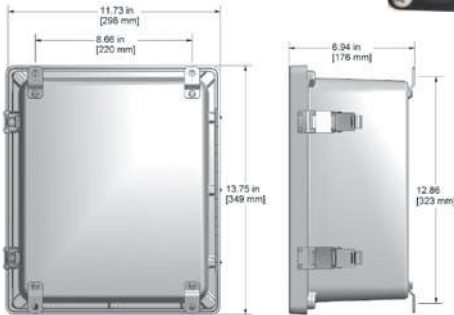


Fiberglass Switch Boxes, Triaxial Output, 12 Triaxial Sensors

**TSB3000 Series** Fiberglass Enclosure



**4 Pin Output**  
for Interface with Azima  
DLI Data Collector Cables  
(D4 option shown)



**Product Features**

**Easily Switched Output for Triaxial Sensors**

Access up to 12 Triaxial Sensors

Option for Continuous Monitoring Available

- Provides a switched output from remotely installed triaxial sensors to a data collector through 3 BNC jacks and 4 Pin connector (see options below)
- Accepts inputs from triaxial sensors
- Quick-release input terminal blocks

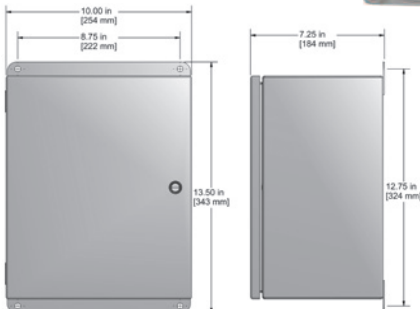
**Specifications**

	TSB3000	TSB4000
Inputs	5 Terminations per Triaxial Sensor (X, Y, Z, COM, GND)	
Switched Output	3 BNC jacks and 4 Pin connector (see options below)	
Continuous Output	Multi-pin connector for interface with online systems (optional) Requires JB933-1A	
Rating	NEMA 4X (IP66)	
Door Closure	Snap Latch	Twist Lock
Material	Fiberglass	Stainless Steel
Temperature Rating	-58° to 180° F (-50° to 82° C)	

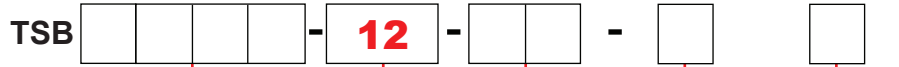
**TSB4000 Series** Stainless Steel Enclosure



**4 Pin Output**  
for Interface with CTC-J4 Series  
Data Collector Cables  
(J4 option shown)



**Ordering Information**



<p><b>Enclosure Type</b></p> <p>3000 = Fiberglass Enclosure</p> <p>4000 = Stainless Steel Enclosure</p> <p>3001 = Fiberglass Enclosure, with continuous output option</p> <p>4001 = Stainless Steel Enclosure, with continuous output option</p>	<p><b>Channels</b></p> <p>12 = 12 Triaxial Sensors</p>	<p><b>4 Pin Connector Compatibility</b></p> <p>J4 = J4X Series connector compatible</p> <p>G4 = G4X Series connector compatible</p> <p>D4 = Azima DLI connector compatible</p>	<p><b>Input Options</b></p> <p>A = *User Defined </p> <p>B = **Conduit Fitting </p> <p>C = Cord Grips </p> <p>S = †Stainless Steel Cord Grips </p>	<p><b>Output Options</b></p> <p>A = None </p> <p>B = Conduit Fitting </p>
--	--	--	--	---

**Example Part Number: TSB3000-12-J4-CB**

Fiberglass triaxial switch box, 12 triaxial sensor capacity, triple BNC output or CTC J4X series connector compatible, cord grip entry and conduit fitting exit

\* No punch outs are provided in the enclosure for cable entry. User may install any fitting required.

\*\* For use with rigid body conduit.

† Stainless Steel enclosure only.

**Optional Accessories:**

- JB933-1A (12 Required) output connector for online systems interface or TSB3001 Series. Note: End user is responsible for providing enclosure exit when using this option.



Backed by our Unconditional Lifetime Warranty