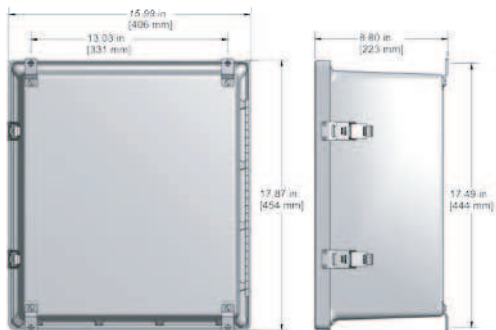
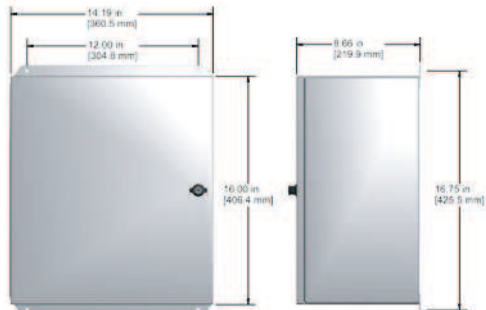


Fiberglass (SSB1002) or Stainless Steel (SSB2002) Single Output Switch Boxes  
12, 24, 36, 48 Channel Inputs

**SSB1002** Fiberglass Enclosure



**SSB2002** Stainless Steel Enclosure

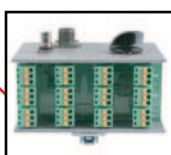


**Product Features**

**Enclosures With DIN Rail Mountable Modules for Multiple Inputs and a Switched Output**

The modules feature BNC and 2 Pin connection options to suit your preferred data collector

- Provides a switched output from remotely installed sensors to a data collector through a BNC and a 2 Pin MIL spec connector
- Modular design provides flexible upgrade option
- Quick-release input terminal blocks



Steel DIN Rail Clip for Secure Attachment

**Specifications**

	SSB1002	SSB2002
Inputs	Terminal block 3 inputs per channel (+, -, shield)	
Switched Output	BNC jack and 2 Pin MIL	
Continuous Output	Multi-pin connector for interface with online systems (optional) Requires JB907-3A	
Rating	NEMA 4X (IP66)	
Door Closure	Snap Latch	Twist Lock
Material	Fiberglass	Stainless Steel
Temperature Rating	-58° to 180° F (-50° to 82° C)	

**Ordering Information**

SSB [ ] [ ] [ ] [ ] - [ ] [ ]

Enclosure Type	Channels	Input Options
1002 = Fiberglass Enclosure	12 = 12 Channels	A = *User Defined
1003 = Fiberglass Enclosure, with continuous output	24 = 24 Channels	B = **Conduit Fitting
2002 = Stainless Steel Enclosure	36 = 36 Channels	C = Cord Grips
2003 = Stainless Steel Enclosure, with continuous output	48 = 48 Channels	S = †Stainless Steel Cord Grips

**Example Part Number: SSB1002-24C**

Fiberglass single output switch box, 24 sensor capacity, cord grip entry

\* No punch outs are provided in the enclosure for cable entry. User may install any fitting required.

\*\* For use with rigid body conduit.

† Stainless Steel enclosure only.

**Optional Accessories:**

- T-Plug output connector for online systems interface.

Note: End user is responsible for providing enclosure exit when using this option.

