

Fiberglass Switch Box with Stainless Steel Back

FLEXX Series Fiberglass Enclosure

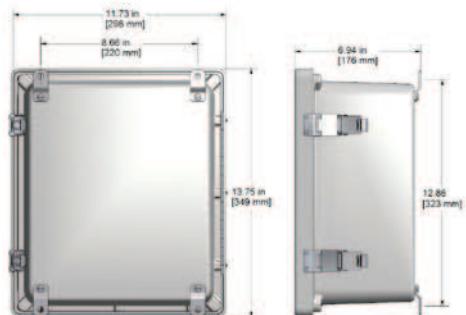


Product Features

Customer Specified Layout per their Requirements.

- *Accepts up to 2 DIN Rails*
- *Will Accept any of CTC Modular Components*
- *Populated with or without Power Supply*

Specifications



FLEXX	
Inputs	Custom Input Options
Rating	NEMA 4X
Door Closure	Snap Latch
Material	Fiberglass Enclosure with a Stainless Steel Back
Temperature Rating (Enclosure only)	15° to 140° F (-10° to 60° C)

Cooling is required if internal temperature of FLEXX enclosure exceeds 140° F (60° C).

See our website to configure your FLEXX Box!



www.ctconline.com



Backed by our Unconditional Lifetime Warranty

www.ctconline.com

