


Factory Installed Cable Connectors

Section 2 - Cables & Connectors

B2A
2 Socket, Silicone Seal Tight Boot
Polycarbonate Insert


| Application | Pin Out | Max. Temp. | Compatible Cables |
|-----------------|----------------------------------|-----------------|--|
| Permanent Mount | A = Signal (+) B = Common (-) | 250° F (121° C) | CB102, CB103, CB110, CB111, CB202, CB206 |



IP66 Build To Order

B3A
3 Socket, Silicone Seal Tight Boot
Polycarbonate Insert


| Application | Pin Out | Max. Temp. | Compatible Cables |
|-----------------|---|-----------------|----------------------------|
| Permanent Mount | A = Signal (+) B = Common (-) C = Signal (+) White | 250° F (121° C) | CB105, CB112, CB212, CB218 |



IP66 Build To Order

B2N
2 Socket, Silicone Seal Tight Boot
Nylon Insert


| Application | Pin Out | Max. Temp. | Compatible Cables |
|-----------------|----------------------------------|-----------------|--|
| Permanent Mount | A = Signal (+) B = Common (-) | 250° F (121° C) | CB102, CB103, CB110, CB111, CB202, CB206 |



IP66 Build To Order

B3N
3 Socket, Silicone Seal Tight Boot
Nylon Insert


| Application | Pin Out | Max. Temp. | Compatible Cables |
|-----------------|---|-----------------|----------------------------|
| Permanent Mount | A = Signal (+) B = Common (-) C = Signal (+) White | 250° F (121° C) | CB105, CB112, CB212, CB218 |



IP66 Build To Order

B2R
2 Socket, Silicone Seal Tight Boot
Polyphenylene Sulfide (PPS) Insert


| Application | Pin Out | Max. Temp. | Compatible Cables |
|-----------------|----------------------------------|-----------------|--|
| Permanent Mount | A = Signal (+) B = Signal (-) | 392° F (200° C) | CB102, CB103, CB110, CB111, CB202, CB206 |



IP66 Build To Order

B3R
3 Socket, Silicone Seal Tight Boot
Polyphenylene Sulfide (PPS) Insert

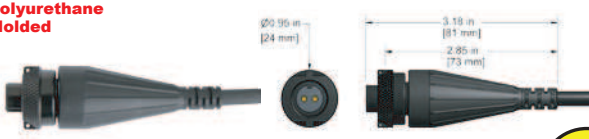
| Application | Pin Out | Max. Temp. | Compatible Cables |
|-----------------|---|-----------------|----------------------------|
| Permanent Mount | A = Signal (+) B = Signal (-) C = Signal (+) White | 392° F (200° C) | CB105, CB112, CB212, CB218 |



IP66 Build To Order

D2C
2 Socket, MIL-Style
Polyurethane Molded

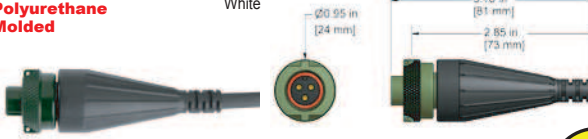
| Application | Pin Out | Max. Temp. | Compatible Cables |
|-----------------------|----------------------------------|-----------------|----------------------------|
| Portable Measurements | A = Signal (+) B = Common (-) | 250° F (121° C) | CB103, CB104, CB108, CB110 |



IP66 Build To Order

D3C
3 Socket, MIL-Style
Polyurethane Molded


| Application | Pin Out | Max. Temp. | Compatible Cables |
|-----------------------|---|-----------------|-------------------|
| Portable Measurements | A = Signal (+) B = Common (-) C = Signal (+) White | 250° F (121° C) | CB105, CB117 |



IP66 Build To Order

D2CG*
2 Socket, MIL-Style
Polyurethane Molded

| Application | Pin Out | Max. Temp. | Compatible Cables |
|-----------------------|----------------------------------|-----------------|----------------------------|
| Portable Measurements | A = Signal (+) B = Common (-) | 250° F (121° C) | CB103, CB104, CB108, CB110 |



IP66 Build To Order

*Grounded To Sensor Case