

Low Capacitance, Class I, Division 2/Zone 2 Accelerometer, For Use In "Non-Arcing, Non-Sparking" Environments, Top Exit Connector/Cable, 10 mV/g



Actual Product Size Shown



Must Use "Class I, Division 2" CB190 or CB206 Cable and D2Q Connectors

Product Features

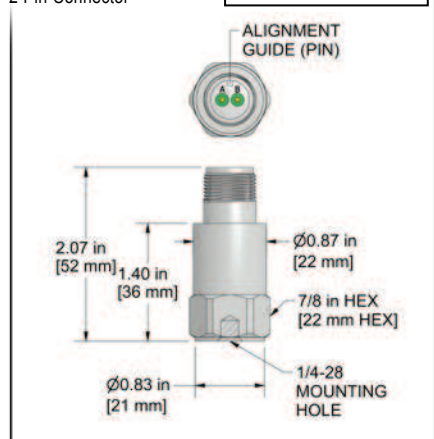
Class I, Division 2/Zone 2 Rating
Helps to Detect Bearing Defects and Other High Frequency Faults

- 10 mV/g Sensitivity
- 1,0 - 15000 Hz (60 - 900,000 CPM) Frequency Response
- ±500 g, Peak Dynamic Range

AC931-1A

2 Pin Connector

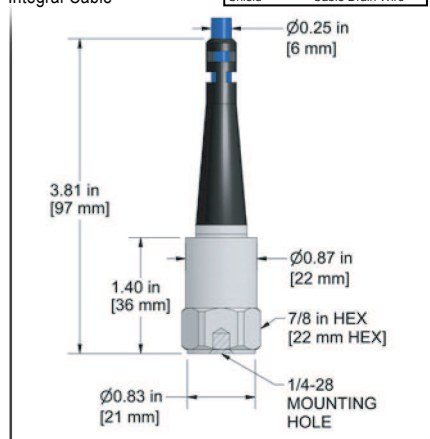
Connector Pin	Polarity
A	(+) Signal / Power
B	(-) Common



AC931-2C

Integral Cable

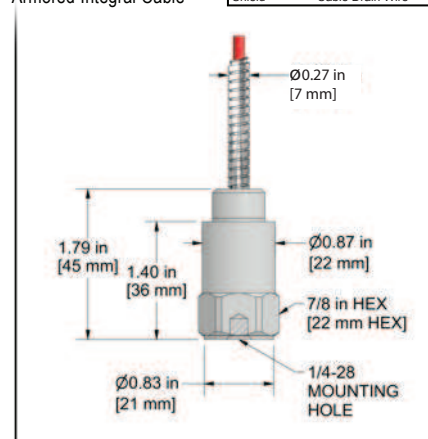
Conductor	Polarity
Red	(+) Signal / Power
Black	(-) Common
Shield	Cable Drain Wire



AC931-3C

Armored Integral Cable

Conductor	Polarity
Red	(+) Signal / Power
Black	(-) Common
Shield	Cable Drain Wire



Specifications	Standard	Metric
Part Number	AC931	M/AC931
Sensitivity (±10%)		10 mV/g
Frequency Response (±3dB)	60-900,000 CPM	1,0-15000 Hz
Frequency Response (±10%)	120-360,000 CPM	2,0-6000 Hz
Dynamic Range		± 500 g, peak
Electrical		
Settling Time		<3 Seconds
Voltage Source (IEPE)		18-30 VDC
Constant Current Excitation		2-10 mA
Spectral Noise @ 10 Hz		100 µg/√Hz
Spectral Noise @ 100 Hz		90 µg/√Hz
Spectral Noise @ 1000 Hz		85 µg/√Hz
Output Impedance		<100 ohm
Bias Output Voltage		10-14 VDC
Case Isolation		>10 ⁸ ohm

Specifications	Standard	Metric
Environmental		
Temperature Range	-40° to 250°F	-40° to 121°C
Maximum Shock Protection		5,000 g, peak
Electromagnetic Sensitivity		CE
Sealing		IP68
Physical		
Sensing Element		PZT Ceramic
Sensing Structure		Shear Mode
Weight	3.2 oz	91 grams
Case Material		316L Stainless Steel
Mounting		1/4-28
Connector (non-integral)		2 Pin MIL-C-5015
Resonant Frequency	1,380,000 CPM	23000 Hz
Mounting Torque	2 to 5 ft. lbs.	2,7 to 6,8 Nm
Mounting Hardware	1/4-28 Stud	M6x1 Adapter Stud
Calibration Certificate		CA10

Ordering Information

Standard	AC931-1A (1/4-28 Stud)	AC931-2C - / (1/4-28 Stud)	AC931-3C - / (1/4-28 Stud)
Metric	M/AC931-1A (M6x1 Adapter Stud)	M/AC931-2C - / (M6x1 Adapter Stud)	M/AC931-3C - / (M6x1 Adapter Stud)

Read Before Purchasing
Important information on Regulatory Approvals and Requirements on Page 84

Cable Termination Options: L Z



Backed by our Unconditional Lifetime Warranty