

Actual Product Size Shown



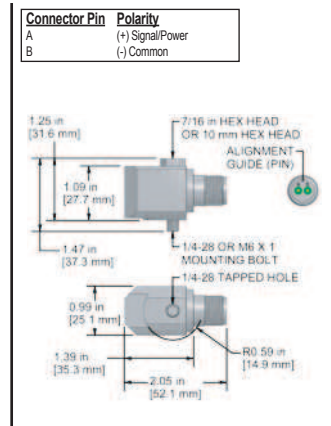
Product Features

High Performance Side Exit Sensor for Demanding Applications
High g Dynamic Range with Excellent Frequency Response

- Higher Dynamic Range
- Bias Stability at Temperature
- Improved RF Immunity

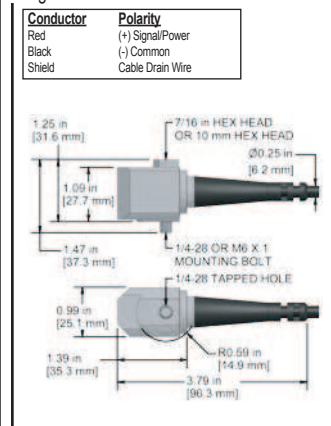
AC211-1D

2 Pin Connector



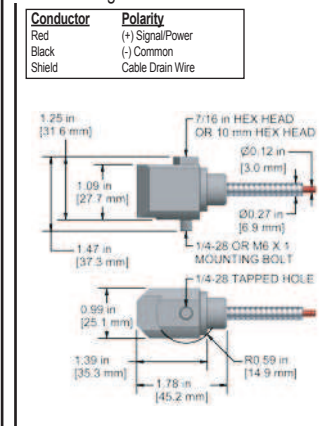
AC211-2D

Integral Cable



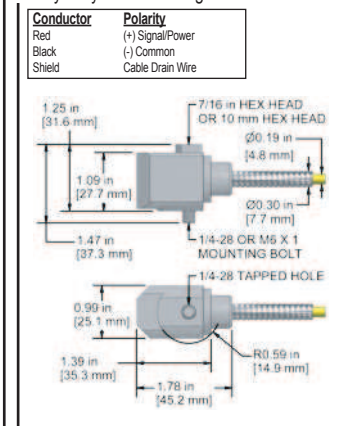
AC211-3D

Armored Integral Cable



AC211-6D

Heavy Duty Armored Integral Cable



Specifications	Standard	Metric
Part Number	AC211	M/AC211
Sensitivity (±5%)	100 mV/g	
Frequency Response (±3dB)	30-600,000 CPM	0.5-10000 Hz
Frequency Response (±10%)	60-240,000 CPM	1,0-4000 Hz
Frequency Response (±5%)	120-180,000 CPM	2,0-3000 Hz
Dynamic Range	± 80 g, peak	
Compliances	CE	
Electrical		
Settling Time	<2.5 seconds	
Voltage Source (IEPE)	18-30 VDC	
Constant Current Excitation	2-10 mA	
Spectral Noise @ 10 Hz	14 µg/√Hz	
Spectral Noise @ 100 Hz	2.3 µg/√Hz	
Spectral Noise @ 1000 Hz	2 µg/√Hz	
Output Impedance	<100 ohm	
Bias Output Voltage	10-14 VDC	
Case Isolation	>10 ⁸ ohm	

Specifications	Standard	Metric
Environmental		
Temperature Range	-58 to 250°F	-50 to 121°C
Maximum Shock Protection	5,000 g, peak	
Electromagnetic Sensitivity	CE	
Sealing	IP68	
Submersible Depth (AC211-2D/3D)	200 ft.	60 m
Physical		
Sensing Element	PZT Ceramic	
Sensing Structure	Shear Mode	
Weight	5.1 oz	145 grams
Case Material	316L Stainless Steel	
Mounting	1/4-28	
Connector (non-integral)	2 Pin MIL-C-5015	
Resonant Frequency	1,320,000 CPM	22000 Hz
Mounting Torque	2 to 5 ft. lbs.	2,7 to 6,8 Nm
Mounting Hardware	1/4-28 Captive Bolt	M6x1 Captive Bolt
Calibration Certificate	CA10	

Ordering Information

Standard	AC211-1D (1/4-28 Captive Bolt)	AC211-2D - / (1/4-28 Captive Bolt)	AC211-3D - / (1/4-28 Captive Bolt)	AC211-6D - / (1/4-28 Captive Bolt)
		(length in feet) (termination)	(maximum armor length 100 ft.) (cable length in feet) (termination)	(maximum armor length 20 ft.) (cable length in feet) (termination)
Metric	M/AC211-1D (M6x1 Captive Bolt)	M/AC211-2D - / (M6x1 Captive Bolt)	M/AC211-3D - / (M6x1 Captive Bolt)	M/AC211-6D - / (M6x1 Captive Bolt)
		(length in meters) (termination)	(maximum armor length 30 m) (cable length in meters) (termination)	(maximum armor length 6 m) (cable length in meters) (termination)

