

**Loop Power Sensor, Velocity, 4-20 mA Output, With 10 mV/°C Temperature Output, Side Exit Connector/Cable**



Actual Product Size Shown

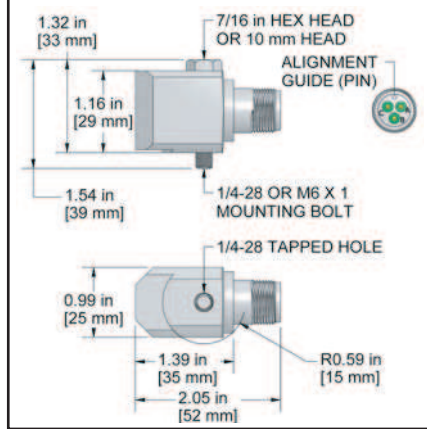
## Product Features

**Continuously Monitor & Protect Important Machinery with 4-20 and Temperature Outputs**

- 4-20 mA current proportional to Vibration
- Transmit Signals Over Long Distances with no Signal Loss
- Customize Your Settings to Focus on the Most Important Frequencies

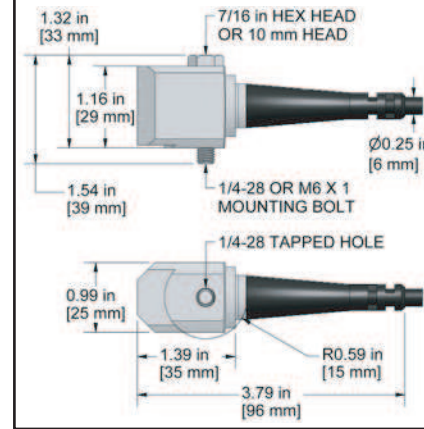
**LP234-1D**  
3 Pin Connector

| Connector Pin | Polarity                |
|---------------|-------------------------|
| A             | (+) Signal / Power      |
| B             | (-) Common              |
| C             | (+) Temperature Voltage |



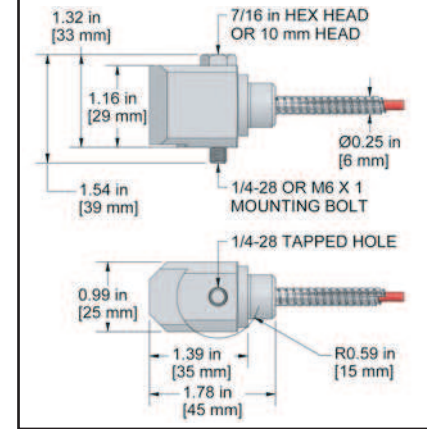
**LP234-2D**  
Integral Cable

| Conductor | Polarity                |
|-----------|-------------------------|
| Red       | (+) Signal / Power      |
| Black     | (-) Common              |
| White     | (+) Temperature Voltage |
| Shield    | Cable Drain Wire        |



**LP234-3D**  
Armored Integral Cable

| Conductor | Polarity                |
|-----------|-------------------------|
| Red       | (+) Signal / Power      |
| Black     | (-) Common              |
| White     | (+) Temperature Voltage |
| Shield    | Cable Drain Wire        |



| Specifications  | Standard             | Metric      |
|---|----------------------|-------------|
| Output, 4-20 mA   | See Selection Guide  |             |
| Temperature Output                                      | 10 mV/°C             |             |
| Temperature Range                                       | -40 to 185°F         | -40 to 85°C |
| <b>Tolerances</b>                                       |                      |             |
| 4 mA  | (± 5%)               |             |
| 20 mA   | (± 10%)              |             |
| Temperature   | (± 5°C)              |             |
| <b>Electrical</b>                                       |                      |             |
| Settling Time (Turn on Time)<br>@ Room Temp (68°F/20°C) | <30 Seconds          |             |
| Power Requirement (Loop Powered)<br>Voltage Source      | 15-30 VDC            |             |
| Electrical Case Isolation                               | >10 <sup>8</sup> ohm |             |
| <b>Environmental</b>                                    |                      |             |
| Electromagnetic Sensitivity                             | CE                   |             |

| Specifications                  | Standard                    | Metric            |
|---------------------------------|-----------------------------|-------------------|
| Sealing                         | IP68                        |                   |
| Submersible Depth (LP234-2D/3D) | 200 ft.                     | 60 m              |
| <b>Physical</b>                 |                             |                   |
| Sensing Element                 | PZT Ceramic                 |                   |
| Sensing Structure               | Shear Mode                  |                   |
| Weight ( without cable)         | 4.9 oz                      | 140 grams         |
| Case Material                   | 316L Stainless Steel        |                   |
| Mounting Hole                   | 1/4-28                      |                   |
| Connector (LP234-1D)            | 3 Pin MIL-C-5015            |                   |
| Integral Cable (LP234-2D)       | Polyurethane Jacketed Cable |                   |
| Armored Cable (LP234-3D)        | Armor Jacketed Cable        |                   |
| <b>Mechanical</b>               |                             |                   |
| Mounting Torque                 | 2 to 5 ft. lbs.             | 2,7 to 6,8 Nm     |
| <b>Supplied Accessories</b>     |                             |                   |
| Mounting Hardware               | 1/4-28 Captive Bolt         | M6x1 Captive Bolt |
| Calibration Certificate         | Current Output @ 100 Hz     |                   |

## Ordering Information

All Products Are Built To Order

/LP234 -   -  /  /  -Z

| Stud Type                      | Measurement Range   | Range Type          | Frequency Range +/- 3dB   | Style   | Armor Length (Integral)   | Cable Length (Integral)   |
|--------------------------------|---|---------------------|---|---|---|---|
| M = M6x1<br>(blank for 1/4-28) | 0 = 0-0.5 IPS (0-12,7 mm/sec)<br>1 = 0-1 IPS (0-25,4 mm/sec)<br>2 = 0-2 IPS (0-50,8 mm/sec)<br>3 = 0-10 mm/sec (0-0,4 IPS)<br>4 = 0-20 mm/sec (0-0,8 IPS)<br>6 = 0-5 IPS (0-127 mm/sec) | R = RMS<br>P = Peak | 1 = 600-60,000 CPM (10-1000 Hz)<br>2 = 180-150,000 CPM (3-2500 Hz)<br>3 = 180-60,000 CPM (3-1000 Hz)<br>4 = 180-300,000 CPM (3-5000 Hz) | 1D = 3 Pin MIL C-5015<br>2D = Integral Cable<br>3D = Armor Jacket | 010 = 10 ft. (3 m)<br>020 = 20 ft. (6 m)<br>030 = 30 ft. (9 m)<br>050 = 50 ft. (15 m)<br>100 = 100 ft. (30 m)<br><i>(Custom lengths available upon request)</i> | 010 = 10 ft. (3 m)<br>020 = 20 ft. (6 m)<br>030 = 30 ft. (9 m)<br>050 = 50 ft. (15 m)<br>100 = 100 ft. (30 m)<br><i>(Custom lengths available upon request)</i> |



Lifetime Warranty on Materials & Workmanship