

SCE110 Series

Fiberglass Enclosure for 1 to 4 CTC Signal Conditioners, NEMA 4X (IP66) Rated



VIBRATION ANALYSIS HARDWARE

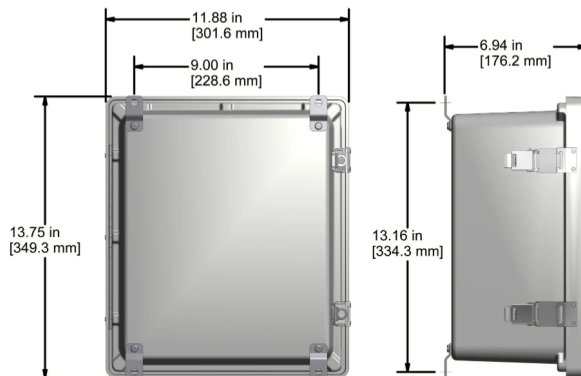


Product Features

Provides 4-20 mA Signals along with dynamic outputs from remotely installed accelerometers to PLC/DCS systems and portable data collectors

Accommodates up to 4 CTC Series Signal Conditioners factory wired to power supply

- ▶ Accepts up to 4 single output sensor inputs for a maximum of 4 channels of measurement
- ▶ Includes DC Power Supply with 100-240 VAC Input
- ▶ Signal conditioners sold separately



Specifications

Temperature Range	15 to 140 °F (-10 to 60 °C)
Enclosure Material	Fiberglass
Power	100-240 VAC
Inputs	Vibration Input: 1 Input/Channel
Outputs	BNC Jack for Dynamic Signal and Screw Terminal Blocks for 4-20 mA Outputs
Sensor Input Options	1 - 4 Channels
Rating	NEMA 4X
Door Closure	Twist Latch
Dimensions	11.88 x 13.75 x 6.94 in. (302 x 349 x 176 mm)
Cord Grips	Nylon Cord Grips Available
Resistance	Resistant to Hose Directed Fluid and Corrosion

Ordering Information

SCE

Enclosure Material	Power Supply	Signal Conditioner Type ¹	Signal Conditioner Count	Input Options	Output Options
1 = Fiberglass Enclosure, Standard Size 2 = Stainless Steel Enclosure, Standard Size	0 = Standard 4-20mA or DC Voltage Output without Power Supply 1 = Standard 4-20mA or DC Voltage Output with Power Supply	1 = SC310 Series Single Band Vibration Output, with Single Vibration Signal Input 2 = SC310 Series Single Band Vibration with Temperature Output, with Dual Vibration and Temperature Signal Input 3 = SC320 Series Dual Vibration Band Output, with Single Vibration Signal Input 4 = SC320 Series Dual Vibration Band Output, with Dual Vibration and Temperature Singal Input 5 = SC150 Series Single Vibration Band Output, With Single Vibration 100 mV/g Signal Input	01 = 1 Signal Conditioner 02 = 2 Signal Conditioners 03 = 3 Signal Conditioners 04 = 4 Signal Conditioners	A = User Defined** B = Conduit Fitting** C = Nylon Cord Grips N = Nickel Plated Brass Cord Grips ¹ S = Stainless Steel Cord Grips ¹	A = User Defined* B = Conduit Fitting**
*All CTC Signal Conditioners only accept input from a single sensor. A dual output accelerometer is required for receiving vibration and temperature data. **No punch outs are provided in the enclosure for cable entry. User may install any fitting required. **For use with conduit. ¹ Stainless Steel enclosures only					

Backed by our Unconditional Lifetime Warranty

www.ctconline.com | sales@ctconline.com | 585-924-5900

www.delta3n.hu