

# DSB3000



VIBRATION ANALYSIS HARDWARE

Dual Input & Output Modular Vibration Switch Box, Fiberglass Enclosure, NEMA 4X (IP66) Rated, Includes up to 4 DSB-MOD(X) Switch Modules for 8, 16, 24, or 32 Dual Output Sensor Inputs

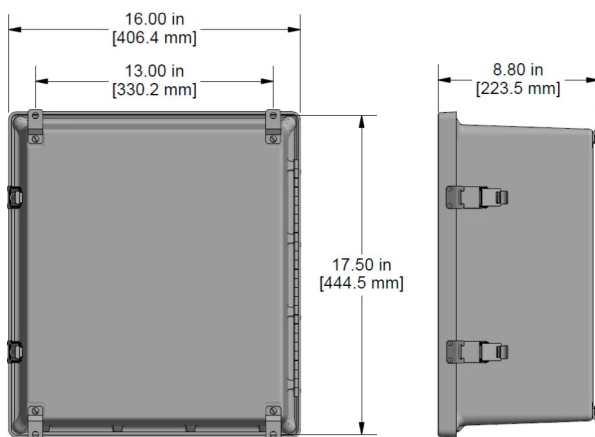


## Product Features

Enclosure with DIN Rail Mountable Modules for Multiple Dual Inputs and Switched Outputs

Internally earth grounded for noise reduction

- ▶ Provides a switched output from up to 32 remotely-installed dual output sensors to a data collector through two BNCs, or 3 Pin MIL spec connector
- ▶ Modules feature external BNC and 2 or 3 Pin connection options to suit your preferred data collector
- ▶ Modular design provides flexible upgrade option



## Specifications

Temperature Range	-58 to 180 °F (-50 to 82 °C)
Enclosure Material	Fiberglass
Inputs	Terminal Block, 4 Inputs per Channel (A, B, C, GND)
Outputs	2 BNC Jacks and 3 Pin MIL
Continuous Output	Optional Multi-Pin Connector for Interface with Online Sstems (requires JB931-3A)
Sensor Input Options	8, 16, 24, 32
Rating	NEMA 4X
Door Closure	Snap Latch
Dimensions	16.00 x 17.50 x 8.80 in. (406 x 445 x 224 mm)
Resistance	Resistant to Hose Directed Fluid and Corrosion

## Ordering Information

DSB



Enclosure Type
<b>3000</b> = Fiberglass Enclosure, Extended Capacity
<b>4000</b> = Stainless Steel Enclosure, Extended Capacity

Sensor Inputs (Dual Output)
<b>8</b> = 8 Sensors
<b>16</b> = 16 Sensors
<b>24</b> = 24 Sensors
<b>32</b> = 32 Sensors

Input Options (Spring Cage Terminal Blocks)
<b>A</b> = User Defined*
<b>B</b> = Conduit Fitting**
<b>C</b> = Nylon Cord Grips
<b>N</b> = Nickel Plated Brass Cord Grips†
<b>S</b> = Stainless Steel Cord Grips†

Input Options (Continuous Output)
<b>M</b> = User Defined*
<b>P</b> = Conduit Fitting**
<b>R</b> = Nylon Cord Grips
<b>V</b> = Nickel Plated Brass Cord Grips†
<b>T</b> = Stainless Steel Cord Grips†

\*No punch outs are provided in the enclosure for cable entry. User may install any fitting required

\*\*For use with conduit.

†Stainless Steel enclosures only

Backed by our Unconditional Lifetime Warranty

[www.ctconline.com](http://www.ctconline.com) | [sales@ctconline.com](mailto:sales@ctconline.com) | 585-924-5900