

LP302-M12E Series



PROTECTION & RELIABILITY INSTRUMENTS

Loop Power Sensor, Acceleration, 4-20 mA Output, Top Exit 4 Pin M12 Connector



Product Features

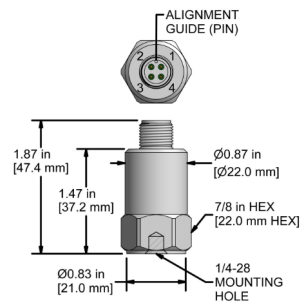
Continuously Monitor & Protect Important Machinery

- ▶ Peak and RMS Outputs Available
- ▶ Vibrational Alarms for Process Control
- ▶ Outputs to PLC, DCS, SCADA

LP302-XXX-M12E

4 Pin Connector

Connector Pin	Polarity
A	(+) Signal/Power
B	(-) Common
C	Not Used
D	Not Used



Built To Order

Specifications	Standard	Metric	Specifications	Standard	Metric
Part Number	LP302-M12E	M/LP302-M12E	<u>Physical</u>		
Tolerance: 4 mA		(± 5%)	Sensing Element		PZT Ceramic
Tolerance: 20 mA		(± 10%)	Sensing Structure		Shear Mode
<u>Electrical</u>			Weight	2.9 oz	82 grams
Settling Time		<30 Seconds	Case Material		316L Stainless Steel
Voltage Source (IEPE)		15-30 VDC	Mounting		1/4-28
Case Isolation		>10 ⁹ ohm	Connector (Non-Integral)		4 Pin M12
<u>Environmental</u>			Mounting Torque	2 to 5 ft. lbs.	2,7 to 6,8 Nm
Temperature Range	-40 to 185°F	-40 to 85°C	Mounting Hardware	1/4-28 Stud	M6x1 Adapter Stud
Electromagnetic Sensitivity		CE	Calibration Certificate		Current Output @ 100 Hz
Sealing		Welded, Hermetic			

Lifetime Warranty on Materials & Workmanship

www.ctconline.com | sales@ctconline.com | 585-924-5900