

XE450 & XE450T Series

Stainless Steel Enclosures, 1-8 Channel SC200 Series Signal Conditioners

XE450T-04-AA (as shown)

Stainless Steel Enclosure



For Dual Vibration & Temperature Monitoring

Product Features

Accommodates up to 8 SC200 Series Signal Conditioners

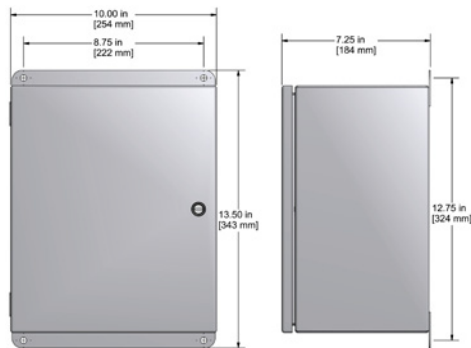
Constant DC Voltage along with available dynamic signal via BNC jack or screw terminals

- Provides VDC Signals along with dynamic outputs, from remote installed accelerometers to PLC/DCS systems and portable data collectors
- Pre-wired system available for up to 1-8 vibration signal conditioners in one enclosure
- Includes internal DC Power Supply with 100-240 VAC Input
- **Signal Conditioners Sold Separately**

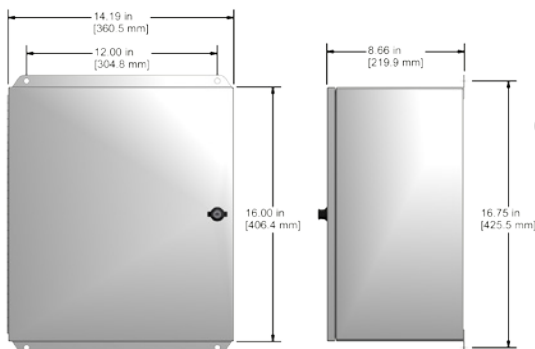
Specifications

Vibration Sensor/Transmitters Inputs	Vibration Input: 1 Inputs per channel ; Dual Temp/Vib: 2 Inputs per channel (CTC TA Series Sensors only)
Output	BNC Jack for Dynamic Signal and Screw Terminal Blocks for VDC outputs
Power	100-240 VAC
Rating	NEMA 4X (IP66)
Door Closure	Latch or Slot
Material	Stainless Steel
Operating temperature range	15° to 140°F (-10° to 60°C)
Resistance	Resistant to Hose Directed Fluid and Corrosion

Cooling is required if internal temperature of XE450/450T enclosure exceeds 140°F (60°C).



1-4 Channel Signal Conditioner Enclosure Drawing



5-8 Channel Signal Conditioner Enclosure Drawing

Ordering Information

All Products Are Built To Order

XE450 - -

Temperature	# of Channels	Enclosure Entry	Enclosure Exit
T = Temp/Vibration Input	01 = 1 Channel 02 = 2 Channels 03 = 3 Channels 04 = 4 Channels 05 = 5 Channels 06 = 6 Channels 07 = 7 Channels 08 = 8 Channels	A = None B = 1" Conduit Fitting (1-4 Channel) 1 1/4" Conduit Fitting (5-8 Channel) & 1/2" Conduit Fitting for power (1-8 Channel) C = Cord Grips (1 per Channel) & 1/2" Conduit Fitting for power S = *Stainless Steel Cord Grips (1 per Channel) & 1/2" Conduit Fitting for power	A = None B = 1" Conduit Fitting (1-4 Channel) 1 1/4" Conduit Fitting (5-8 Channel)

Signal Conditioners Sold Separately

*Stainless Steel enclosure only

Example Part Number: XE450T-08-AA

Temperature/vibration input, 8 channels, no entry or exit options

Lifetime Warranty on Materials & Workmanship

www.ctconline.com

