

## Low Voltage Accelerometer, Top Exit Connector/Cable, 25 mV/g

SECTION I - VIBRATION SENSORS  
Accelerometers - 25 mV/g



Actual Product Size Shown

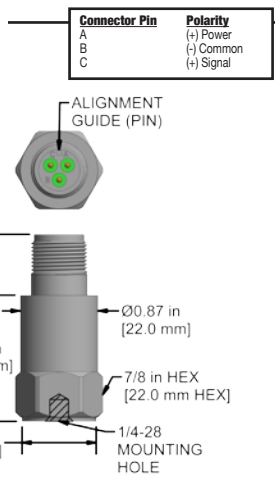


### Product Features

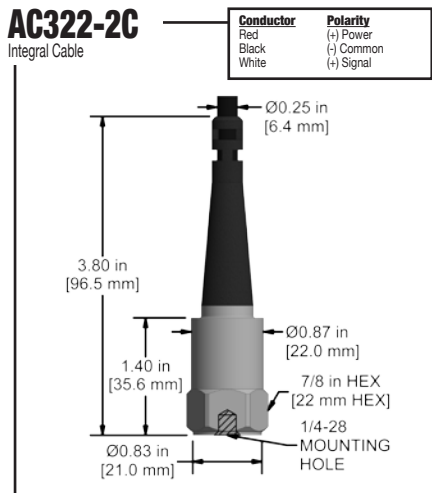
**Ultra Low Power Sensor  
For Battery Powered  
Transmission Systems**

- 3 Pin MIL Connector
- Supply Voltage 4-6 Volts
- Compatible with Many Wireless Transmission Systems

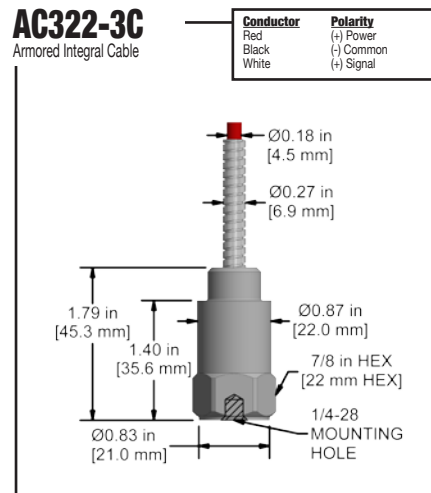
#### AC322-1A 3 Pin Connector



#### AC322-2C Integral Cable



#### AC322-3C Armored Integral Cable



Specifications	Standard	Metric
Part Number	AC322	M/AC322
<b>Vibration</b>		
Sensitivity (±10%)	25 mV/g	
Frequency Response (±3dB)	30-900,000 CPM	0,5-15000 Hz
Frequency Response (±10%)	60-720,000 CPM	1,0-12000 Hz
Dynamic Range	± 50 g, peak	
<b>Electrical</b>		
Settling Time	<1.0 second	
Power Supply Voltage	4-6 VDC (10%)	
Spectral Noise @ 10 Hz	60 µg/√Hz	
Spectral Noise @ 100 Hz	20 µg/√Hz	
Spectral Noise @ 1000 Hz	5 µg/√Hz	
Output Impedance	<100 ohm	
Bias Output Voltage	2.5 V ± 10%	
Case Isolation	>10 <sup>8</sup> ohm	
Supply Current	< 20 µA	

Specifications	Standard	Metric
<b>Environmental</b>		
Temperature Range	-58 to 250°F	-50 to 121°C
Maximum Shock Protection	5,000 g, peak	
Sealing	Welded, Hermetic	
<b>Physical</b>		
Sensing Element	PZT Ceramic	
Sensing Structure	Shear Mode	
Weight	3.2 oz	90 grams
Case Material	316L Stainless Steel	
Mounting	1/4-28	
Connector (non-integral)	3 Pin MIL-C-5015	
Resonant Frequency	1,860,000 CPM	31000 Hz
Mounting Torque	2 to 5 ft. lbs.	2,7 to 6,8 Nm
Mounting Hardware	1/4-28 Stud	M6x1 Adapter Stud
Calibration Certificate	CA10	

### Ordering Information

Standard	AC322-1A (1/4-28 Stud)	AC322-2C /  - (1/4-28 Stud)  (maximum cable length 10 ft.) (termination)	AC322-3C /  /  - (1/4-28 Stud)  (maximum armor length 10 ft.) (maximum cable length 10 ft.) (termination)
Metric	M/AC322-1A (M6x1 Adapter Stud)	M/AC322-2C /  - (M6x1 Adapter Stud)  (maximum cable length 3 m) (termination)	M/AC322-3C /  /  - (M6x1 Adapter Stud)  (maximum armor length 3 m) (maximum cable length 3 m) (termination)



Backed by our Unconditional Lifetime Warranty

