

# TA915 Series

**Intrinsically Safe Accelerometer, Dual Output, Temperature/Acceleration, Top Exit Connector/Cable, 100 mV/g, 10 mV/°C**

**CSA/ATEX/IECEX Approved**



Actual Product Size Shown



## REGULATORY INFORMATION

Ex ia IIC T3 Ga  
 AEx ia IIC T3 Ga  
 CLI Groups A, B, C, D  
 CLII Groups E, F, G; CLIII  
 CLI, Zone 0  
 Operating Temperature Code: T3  
 Ambient Temperature Range = -40°C to +121°C  
 Control Drawing INS10012

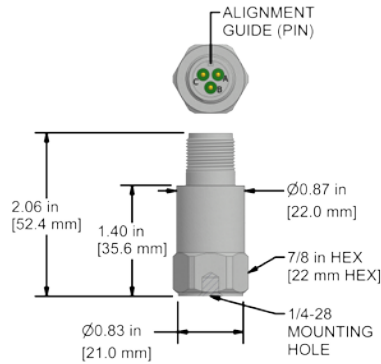
U<sub>i</sub> = 28 Vdc I<sub>i</sub> = 112 mA  
 P<sub>i</sub> = 1W, C<sub>i</sub> = 1.5nF, L<sub>i</sub> = 0µH  
 CSA 221421  
 Sira 15ATEX2152X  
 Ex ia IIC T3 Ga  
 IECEx SIR 15.0060X  
 Ex ia IIC T3 Ga

Requires **Intrinsically Safe Barrier IS131**

### TA915-1A

3 Pin Connector

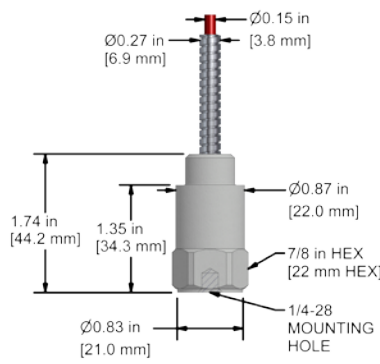
Connector Pin	Polarity
A	(+) Signal / Power
B	(+) Common
C	(+) Temperature Voltage



### TA915-3C

Armored Integral Cable

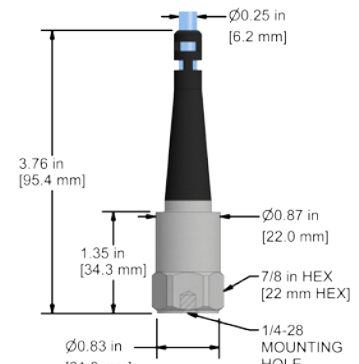
Conductor	Polarity
Red	(+) Signal / Power
Black	(+) Common
White	(+) Temperature Voltage
Shield	Cable Drain Wire



### TA915-9C

Integral Cable

Conductor	Polarity
Red	(+) Signal / Power
Black	(+) Common
White	(+) Temperature Voltage
Shield	Cable Drain Wire



Specifications	Standard	Metric
Part Number	TA915	M/TA915
<b>Vibration</b>		
Sensitivity (±10%)	100 mV/g	
Frequency Response (±3dB)	30-900,000 CPM	0.5-15000 Hz
Frequency Response (±10%)	60-360,000 CPM	1,0-6000 Hz
Dynamic Range	± 80 g, peak	
<b>Temperature</b>		
Temperature Measurement Range	38 to 250° F	3 to 121° C
Temperature Output	10 mV/°C	
<b>Electrical</b>		
Settling Time	<2 seconds	
Voltage Source (IEPE)	18-28 VDC	
Constant Current Excitation	2-10 mA	
Spectral Noise @ 10 Hz	30 µg/√Hz	
Spectral Noise @ 100 Hz	19 µg/√Hz	
Spectral Noise @ 1000 Hz	15 µg/√Hz	
Output Impedance	<100 ohm	
Bias Output Voltage	10-14 VDC	
Case Isolation	>10 <sup>9</sup> ohm	

Specifications	Standard	Metric
<b>Environmental</b>		
Temperature Range	-40 to 250°F	-40 to 121°C
Maximum Shock Protection	5,000 g, peak	
Electromagnetic Sensitivity	CE	
Sealing	Welded, Hermetic	
<b>Physical</b>		
Sensing Element	PZT Ceramic	
Sensing Structure	Shear Mode	
Weight	3.2 oz	90 grams
Case Material	316L Stainless Steel	
Mounting	1/4-28	
Connector (TA915-1A)	3 Pin MIL-C-5015	
Armored Cable (TA915-3C)	Armor Jacketed Cable	
Integral Cable (TA915-9C)	Blue TPE Cable	
Resonant Frequency	1,380,000 CPM	23000 Hz
Mounting Torque	2 to 5 ft. lbs.	2,7 to 6,8 Nm
Mounting Hardware	1/4-28 Stud	M6x1 Adapter Stud
Calibration Certificate	CA10	

## Ordering Information

Standard	TA915-1A (1/4-28 Stud)	TA915-3C / (1/4-28 Stud)	TA915-9C / (1/4-28 Stud)
		(maximum armor length 100 ft.) (cable length in feet) (termination)	(length in feet) (termination)
Metric	M/TA915-1A (M6x1 Adapter Stud)	M/TA915-3C / (M6x1 Adapter Stud)	M/TA915-9C / (M6x1 Adapter Stud)
		(maximum armor length 30 m) (cable length in meters) (termination)	(length in meters) (termination)
		M (termination)	M (termination)

Cable Terminations: L Z

**Read Before Purchasing**  
 Important information on  
 Regulatory Approvals and  
 Requirements  
 on Page 87

**Backed by our Unconditional Lifetime Warranty**

[www.ctconline.com](http://www.ctconline.com)



SECTION I - VIBRATION SENSORS  
Intrinsically Safe Accelerometers