

# TA936 Series

Class I, Division 2/Zone 2 Accelerometer, For Use In "Non-Arcing, Non-Sparking" Environments, Dual Output, Temperature/Acceleration, Side Exit Connector/Cable, 100 mV/g, 10 mV/°C

**CSA/ATEX Approved**

Actual Product Size Shown



**Must Use "Class I, Division 2" CB191 or CB212 Cable and D3Q Connector**

**REGULATORY INFORMATION**

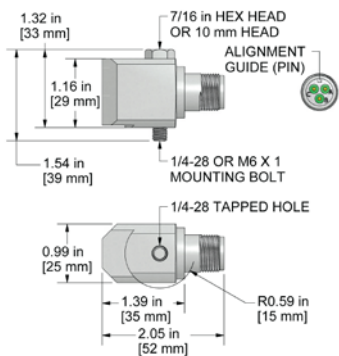
Ex nA IIC T3 Gc  
AEx nA IIC T3 Gc  
CLI Groups A, B, C, D  
CLII Groups E, F, G; CLIII  
CLI, Zone 2

Operating Temperature Code: T3  
Ambient Temperature Range = -40°C to +121°C  
Ui = 28 Vdc li = 100 mA  
CSA 221421  
Sira 15ATEX2152X  
Ex nA IIC T3 Ga



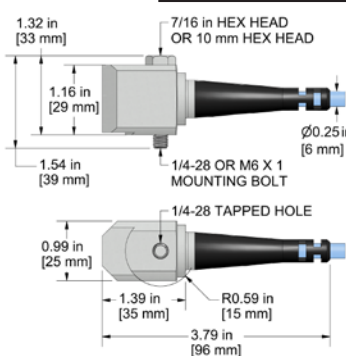
**TA936-1A**  
3 Pin Connector

Connector Pin	Polarity
A	(+) Signal / Power
B	(-) Common
C	(+) Temperature Voltage



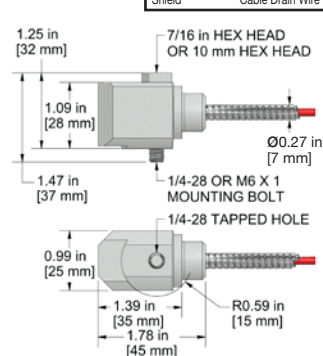
**TA936-2C**  
Integral Cable

Conductor	Polarity
Red	(+) Signal / Power
Black	(-) Common
White	(+) Temperature Voltage
Shield	Cable Drain Wire



**TA936-3C**  
Armored Integral Cable

Conductor	Polarity
Red	(+) Signal / Power
Black	(-) Common
White	(+) Temperature Voltage
Green	Not Used
Shield	Cable Drain Wire



Specifications	Standard	Metric
Part Number	TA936	M/TA936
<b>Vibration</b>		
Sensitivity (±10%)		100 mV/g
Frequency Response (±3dB)	30-516,000 CPM	0.5-8600 Hz
Frequency Response (±10%)	60-360,000 CPM	1.0-6000 Hz
Dynamic Range		±80 g, peak
<b>Temperature</b>		
Temperature Measurement Range	38° to 250° F	3° to 121° C
Temperature Output		10 mV/°C
<b>Electrical</b>		
Settling Time		<2 Seconds
Voltage Source (IEPE)		18-28 VDC
Constant Current Excitation		2-10 mA
Spectral Noise @ 10 Hz		30 µg/√Hz
Spectral Noise @ 100 Hz		19 µg/√Hz
Spectral Noise @ 1000 Hz		15 µg/√Hz
Output Impedance		<100 ohm
Bias Output Voltage		10-14 VDC
Case Isolation		>10 <sup>8</sup> ohm

Specifications	Standard	Metric
<b>Environmental</b>		
Temperature Range	-40 to 250°F	-40 to 121°C
Maximum Shock Protection		5,000 g, peak
Electromagnetic Sensitivity		CE
Sealing		Welded, Hermetic
<b>Physical</b>		
Sensing Element		PZT Ceramic
Sensing Structure		Shear Mode
Weight	5.3 oz	151 grams
Case Material		316L Stainless Steel
Mounting		1/4-28
Connector (TA936-1A)		3 Pin MIL-C-5015
Integral Cable (TA936-2C)		Blue TPE Jacketed Cable
Armored Cable (TA936-3C)		Armor Jacketed Cable
Resonant Frequency	1,260,000 CPM	21000 Hz
Mounting Torque	2 to 5 ft. lbs.	2.7 to 6.8 Nm
Mounting Hardware	1/4-28 Captive Bolt	M6x1 Captive Bolt
Calibration Certificate		CA10

**Ordering Information**

Standard	TA936-1A (1/4-28 Captive Bolt)	TA936-2C / (1/4-28 Captive Bolt)	TA936-3C / (1/4-28 Captive Bolt)
Metric	M/TA936-1A (M6x1 Captive Bolt)	M/TA936-2C / (M6x1 Captive Bolt)	M/TA936-3C / (M6x1 Captive Bolt)

**Read Before Purchasing**  
Important information on Regulatory Approvals and Requirements on Page 87

Cable Terminations: L Z

