

Compact, High Performance Accelerometer, Side Exit Connector/Cable, 100 mV/g

Section I - Vibration Sensors

Actual Product Size Shown

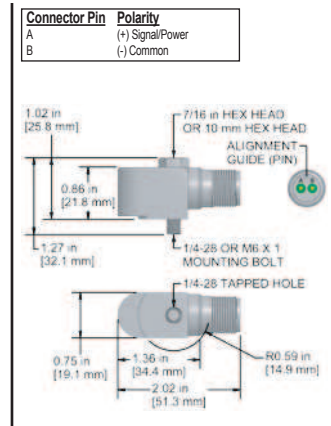


Product Features

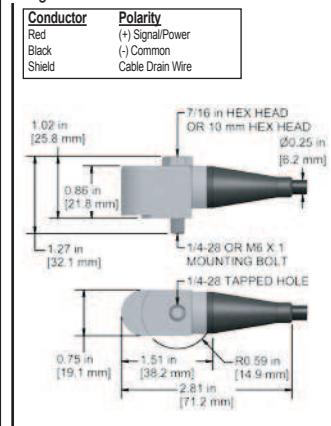
Superior RF Immunity in a Compact 100 mV/g Sensor
Standard 2 Pin MIL Connector

- ± 80 g, Peak Dynamic Range, $\pm 5\%$ Sensitivity
- 10 kHz Frequency Response
- Improved Linearity

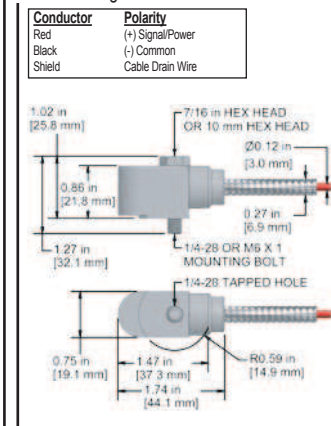
AC294-1D 2 Pin Connector



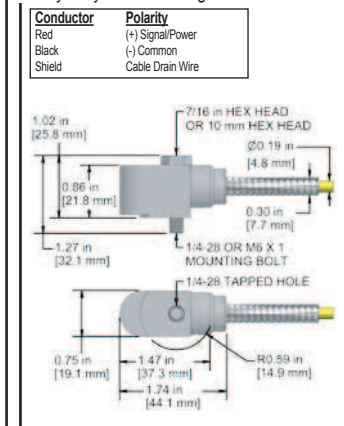
AC294-2D Integral Cable



AC294-3D Armored Integral Cable



AC294-6D Heavy Duty Armored Integral Cable



Specifications	Standard	Metric
Part Number	AC294	M/AC294
Sensitivity ($\pm 5\%$)	100 mV/g	
Frequency Response (± 3 dB)	18-600,000 CPM	0.3-10000 Hz
Frequency Response ($\pm 10\%$)	60-150,000 CPM	1.0-2500 Hz
Frequency Response ($\pm 5\%$)	600-120,000 CPM	10-2000 Hz
Dynamic Range	± 80 g, peak	
Electrical		
Settling Time	<2 Seconds	
Voltage Source (IEPE)	18-30 VDC	
Constant Current Excitation	2-10 mA	
Spectral Noise @ 10 Hz	8 μ g/ \sqrt Hz	
Spectral Noise @ 100 Hz	4 μ g/ \sqrt Hz	
Spectral Noise @ 1000 Hz	2 μ g/ \sqrt Hz	
Output Impedance	<100 ohm	
Bias Output Voltage	10-14 VDC	
Case Isolation	>10 ⁸ ohm	

Specifications	Standard	Metric
Environmental		
Temperature Range	-58 to 250°F	-50 to 121°C
Maximum Shock Protection		5,000 g, peak
Electromagnetic Sensitivity		CE
Sealing		IP68
Submersible Depth (AC294-2D/3D)	200 ft.	60 m
Physical		
Sensing Element		PZT Ceramic
Sensing Structure		Shear Mode
Weight	3.3 oz	93 grams
Case Material		316L Stainless Steel
Mounting		1/4-28
Connector (non-integral)		2 Pin MIL-C-5015
Resonant Frequency	1,200,000 CPM	20000 Hz
Mounting Torque	2 to 5 ft. lbs.	2,7 to 6,8 Nm
Mounting Hardware	1/4-28 Captive Bolt	M6x1 Captive Bolt
Calibration Certificate		CA10

Ordering Information

Standard	AC294-1D (1/4-28 Captive Bolt)	AC294-2D - / (1/4-28 Captive Bolt)	AC294-3D - / (1/4-28 Captive Bolt)	AC294-6D - / (1/4-28 Captive Bolt)
Metric	M/AC294-1D (M6x1 Captive Bolt)	M/AC294-2D - / (M6x1 Captive Bolt)	M/AC294-3D - / (M6x1 Captive Bolt)	M/AC294-6D - / (M6x1 Captive Bolt)



Backed by our Unconditional Lifetime Warranty

