

Actual Product Size Shown



Product Features

High Performance in an Affordable, Compact Sensor

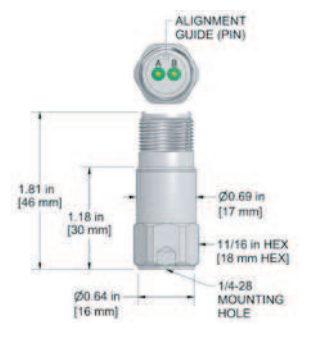
Very Low Noise

- Superior RF Immunity
- ±80 g, Peak Dynamic Range, ± 10% Sensitivity
- Standard 2 Pin MIL Connection

AC192-1D

2 Pin Connector

Connector Pin	Polarity
A	(+) Signal/Power
B	(-) Common



AC192-2D

Integral Cable

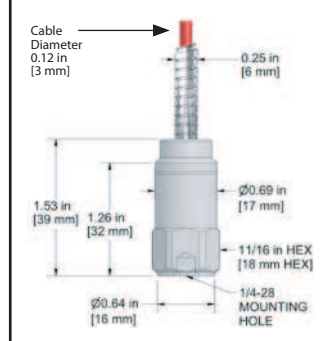
Conductor	Polarity
Red	(+) Signal/Power
Black	(-) Common
Shield	Cable Drain Wire



AC192-3D

Armored Integral Cable

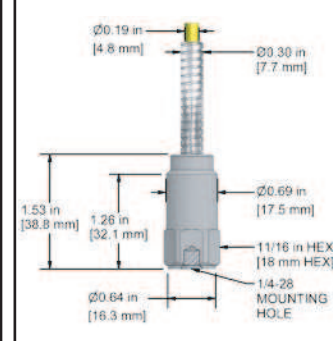
Conductor	Polarity
Red	(+) Signal/Power
Black	(-) Common
Shield	Cable Drain Wire



AC192-6D

Heavy Duty Armored Integral Cable

Conductor	Polarity
Red	(+) Signal/Power
Black	(-) Common
Shield	Cable Drain Wire



Specifications	Standard	Metric
Part Number	AC192	M/AC192
Sensitivity (±10%)		100 mV/g
Frequency Response (±3dB)	24-780,000 CPM	0.4-13000 Hz
Frequency Response (±10%)	60-540,000 CPM	1,0-9000 Hz
Dynamic Range		± 80 g, peak
Electrical		
Settling Time		<2 Seconds
Voltage Source (IEPE)		18-30 VDC
Constant Current Excitation		2-10 mA
Spectral Noise @ 10 Hz		8 µg/√Hz
Spectral Noise @ 100 Hz		4 µg/√Hz
Spectral Noise @ 1000 Hz		2 µg/√Hz
Output Impedance		<100 ohm
Bias Output Voltage		10-14 VDC
Case Isolation		>10 ⁸ ohm

Specifications	Standard	Metric
Environmental		
Temperature Range	-58 to 250°F	-50 to 121°C
Maximum Shock Protection		5,000 g, peak
Electromagnetic Sensitivity		CE
Sealing		IP68
Submersible Depth (AC192-2D/3D)	200 ft.	60 m
Physical		
Sensing Element		PZT Ceramic
Sensing Structure		Shear Mode
Weight	1.8 oz	51 grams
Case Material		316L Stainless Steel
Mounting		1/4-28
Connector (non-integral)		2 Pin MIL-C-5015
Resonant Frequency	1,560,000 CPM	26000 Hz
Mounting Torque	2 to 5 ft. lbs.	2,7 to 6,8 Nm
Mounting Hardware	1/4-28 Stud	M6x1 Adapter Stud
Calibration Certificate		CA10

Ordering Information

Standard	AC192-1D (1/4-28 Stud)	AC192-2D - / (1/4-28 Stud)	AC192-3D - / (1/4-28 Stud)	AC192-6D - / (1/4-28 Stud)
		(length in feet) (termination)	(maximum armor length 100 ft.) (cable length in feet) (termination)	(maximum armor length 20 ft.) (cable length in feet) (termination)
Metric	M/AC192-1D (M6x1 Adapter Stud)	M/AC192-2D - / (M6x1 Adapter Stud)	M/AC192-3D - / (M6x1 Adapter Stud)	M/AC192-6D - / (M6x1 Adapter Stud)
		(length in meters) (termination)	(maximum armor length 30 m) (cable length in meters) (termination)	(maximum armor length 6 m) (cable length in meters) (termination)

Cable Termination Options: E F L Z

