

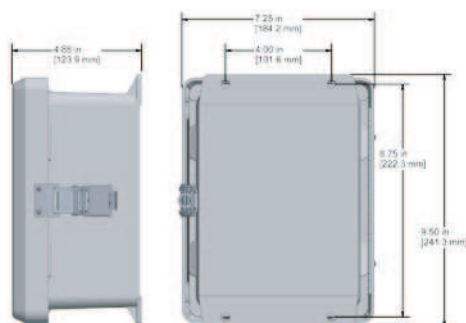
Fiberglass (SB152) or Stainless Steel (SB252) Signal Management Boxes, 6 and 12 Channels

SB152

Fiberglass Enclosure



Quick Connect Breakout

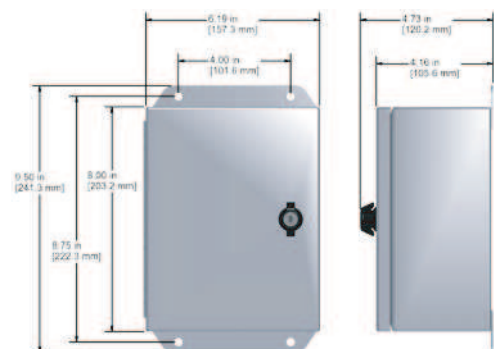


SB252

Stainless Steel Enclosure



Quick Connect Breakout



Product Features

Easy Access Through BNC's

Contains multiple BNC outputs for simultaneous signal collection
Single BNC & 2 Pin MIL for Switched Outputs

- Provides a switched output to a data collector, or continuous outputs to a signal recorder or multi-channel analyzer
- Allows simultaneous collection of multiple signals
- Quick-release input terminal blocks
- BNC Jacks for Multi-Channel Output

Specifications

	SB152	SB252
Inputs	Terminal Block 3 Inputs per channel (+, -, Shield)	
Switched Output	BNC Jack and 2 Pin MIL	
Continuous Output	12 BNC Jacks, Electrically Isolated	
Rating	NEMA 4X (IP66)	
Door Closure	Snap Latch	Twist Lock
Material	Fiberglass	Stainless Steel
Temperature Rating	-58° to 180° F (-50° to 82° C)	
Resistance	Resistant to Hose Directed Fluid and Corrosion	

Ordering Information

SB -

Enclosure Type	Channels	Input Options
152 = Fiberglass Enclosure	6 = 6 Channels	A = *User Defined
252 = Stainless Steel Enclosure	12 = 12 Channels	B = **Conduit Fitting
		C = Cord Grips
		S = †Stainless Steel Cord Grips

Example Part Number: SB152-12B

Twelve channel signal management box, NEMA 4X enclosure, with conduit fitting installed

* No punch outs are provided in the enclosure for cable entry. User may install any fitting required.
 ** For use with rigid body conduit.
 † Stainless Steel enclosure only.

