

Class I, Division 2/Zone 2 Loop Power Sensor, For Use In "Non-Arcing, Non-Sparking" Environments, Top Exit Connector/Cable, Velocity, 4-20 mA Output



Must Use "Class I, Division 2" CB190 Cable and D2Q Connector or CB922 Series Cable Adapter

Product Features

Continuous Monitoring in Hazardous Locations

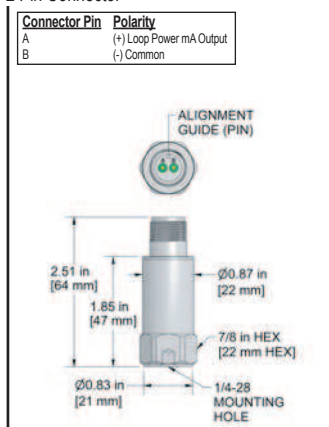
Velocity 4-20 Output for Applications in Hazardous Locations

- Requires CB190 with D2Q or CB922 Series Connector (for non-integral cable versions)
- Non-Arcing, Non-Sparking Sensor for Class I, Division 2
- Enables Vibration Alarms for Process Control

Actual Product Size Shown

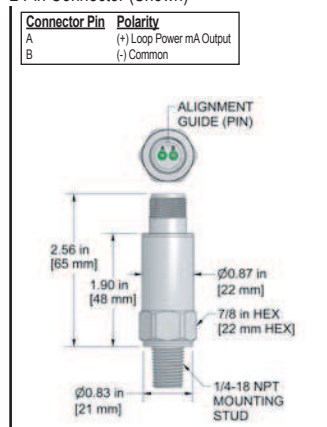
LP822-1B

2 Pin Connector



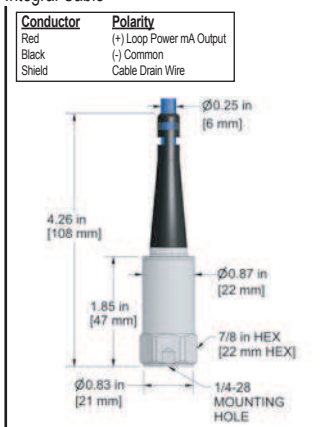
P25/LP822-1B

2 Pin Connector (Shown)



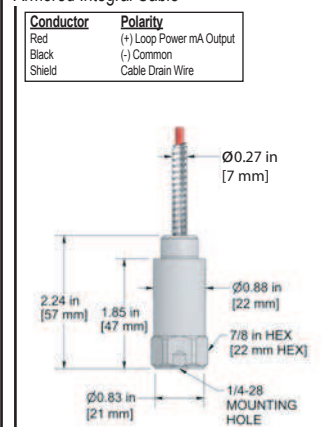
LP822-2C

Integral Cable



LP822-3C

Armored Integral Cable



Specifications	Standard	Metric
Output, 4-20 mA	See Selection Guide	
Measurement Range		
<u>Tolerances</u>		
4 mA	± 5%	
20 mA	± 10%	
<u>Electrical</u>		
Settling Time (Turn on Time)	<60 Seconds	
@ Room Temp (68°F/20°C)		
Power Requirement (Loop Powered)	12-28 VDC	
Voltage Source		
Electrical Case Isolation	>10 ⁸ ohm	
<u>Environmental</u>		
Temperature Range	-40 to 176°F	-40 to 80°C
Electromagnetic Sensitivity	CE	
Sealing	IP68	

Specifications	Standard	Metric
<u>Physical</u>		
Sensing Element	PZT Ceramic	
Sensing Structure	Shear Mode	
Weight (without cable)	3.7 oz	105 grams
Case Material	316L Stainless Steel	
Mounting Hole	1/4-28	
	1/4 NPT (P25/LP822-1B)	
Connector (LP822-1B)	2 Pin MIL-C-5015	
Integral Cable (LP822-2C)	Blue TPE Cable	
Armored Cable (LP822-3C)	Armor Jacketed Cable	
<u>Mechanical</u>		
Mounting Torque	2 to 5 ft. lbs.	2,7 to 6,8 Nm
<u>Supplied Accessories</u>		
Mounting Hardware	1/4-28 Stud	M6x1 Adapter Stud
Calibration Certificate	Current Output @ 100 Hz	

Ordering Information



Stud Type	Measurement Range	Range Type	Frequency Range +/- 3dB	Style	Armor Length (Integral)	Cable Length (Integral)
M = M6x1	0 = 0-0.5 IPS (0-12,7 mm/sec)	R = RMS	1 = 600-60,000 CPM (10-1000 Hz)	1B = 2 Pin MIL (C-5015)	010 = 10 ft. (3 m)	010 = 10 ft. (3 m)
P25 = 1/4 inch NPT	1 = 0-1 IPS (0-25,4 mm/sec)	P = Peak	2 = 180-150,000 CPM (3-2500 Hz)	Note: 1B Option Does Not Include Cable	020 = 20 ft. (6 m)	020 = 20 ft. (6 m)
Blank = 1/4-28	2 = 0-2 IPS (0-50,8 mm/sec)			2C = Integral Cable	030 = 30 ft. (9 m)	030 = 30 ft. (9 m)
	3 = 0-10 mm/sec (0-0,4 IPS)			3C = Armored Integral Cable	050 = 50 ft. (15 m)	050 = 50 ft. (15 m)
	4 = 0-20 mm/sec (0-0,8 IPS)				100 = 100 ft. (30 m)	100 = 100 ft. (30 m)
					(Custom lengths available upon request)	(Custom lengths available upon request)

Read Before Purchasing: Important information on Regulatory Approvals and Requirements on Page 331

Lifetime Warranty on Materials & Workmanship



Section 6 - BROWNE LINE