

Low Capacitance, IEC Certified (IECEX), Intrinsically Safe Accelerometer, Side Exit Connector/Cable, 100 mV/g

Requires **Intrinsically Safe Barrier**

Product Features

IECEX Approvals

High Performance in a Low Cost Sensor

- 0,5 - 8600 Hz (30 - 516,000 CPM) Frequency Response
- 100 mV/g Sensitivity ±10%
- Requires Intrinsic Safety Barrier (see page 348)



Actual Product Size Shown

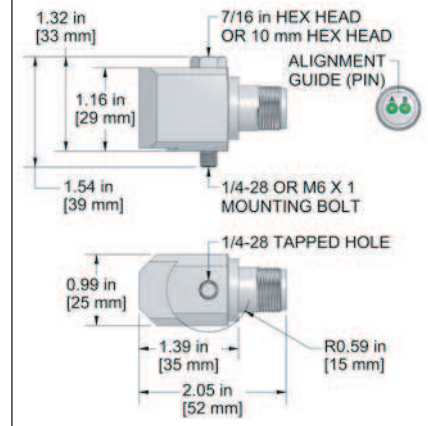
IECEX



AC966-1A

2 Pin Connector

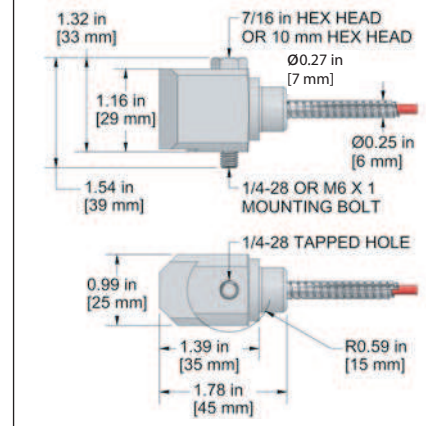
Connector Pin Polarity	
A	(+) Signal / Power
B	(-) Common



AC966-3C

Armored Integral Cable

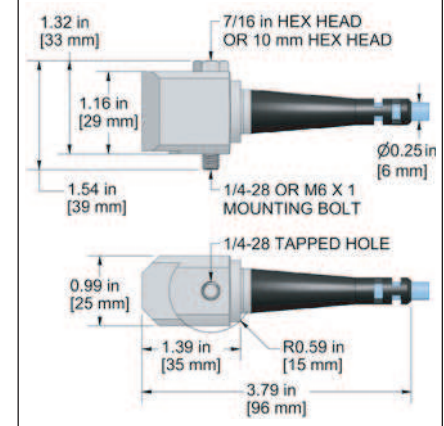
Conductor Polarity	
Red	(+) Signal / Power
Black	(-) Common
Shield	Cable Drain Wire



AC966-9C

Integral Cable

Conductor Polarity	
Red	(+) Signal / Power
Black	(-) Common
Shield	Cable Drain Wire



Specifications	Standard	Metric
Part Number	AC966	M/AC966
Sensitivity (±10%)		100 mV/g
Frequency Response (±3dB)	30-516,000 CPM	0,5-8600 Hz
Frequency Response (±10%)	60-360,000 CPM	1,0-6000 Hz
Dynamic Range		± 50 g, peak
Electrical		
Settling Time (IEPE)		<3 Seconds
Voltage Source		18-28 VDC
Constant Current Excitation		2-10 mA
Spectral Noise @ 10 Hz		30 µg/√Hz
Spectral Noise @ 100 Hz		19 µg/√Hz
Spectral Noise @ 1000 Hz		15 µg/√Hz
Output Impedance		<100 ohm
Bias Output Voltage		10-14 VDC
Case Isolation		>10 ⁸ ohm

Specifications	Standard	Metric
Environmental		
Temperature Range	-40° to 250°F	-40° to 121°C
Maximum Shock Protection		5,000 g, peak
Electromagnetic Sensitivity		CE
Sealing		IP68
Physical		
Sensing Element		PZT Ceramic
Sensing Structure		Shear Mode
Weight	5.3 oz	151 grams
Case Material		316L Stainless Steel
Mounting		1/4-28
Connector (non-integral)		2 Pin MIL-C-5015
Resonant Frequency	1,260,000 CPM	21000 Hz
Mounting Torque	2 to 5 ft. lbs.	2,7 to 6,8 Nm
Mounting Hardware	1/4-28 Captive Bolt	M6x1 Captive Bolt
Calibration Certificate		CA10

Ordering Information

Standard	AC966-1A (1/4-28 Captive Bolt)	AC966-3C - / (1/4-28 Captive Bolt)	AC966-9C - / (1/4-28 Captive Bolt)
Metric	M/AC966-1A (M6x1 Captive Bolt)	M/AC966-3C - / (M6x1 Captive Bolt)	M/AC966-9C - / (M6x1 Captive Bolt)

Read Before Purchasing
Important information on
Regulatory Approvals and Requirements
on Page 97

Cable Termination Options: L Z

Backed by our Unconditional Lifetime Warranty



Section I - Vibration Sensors